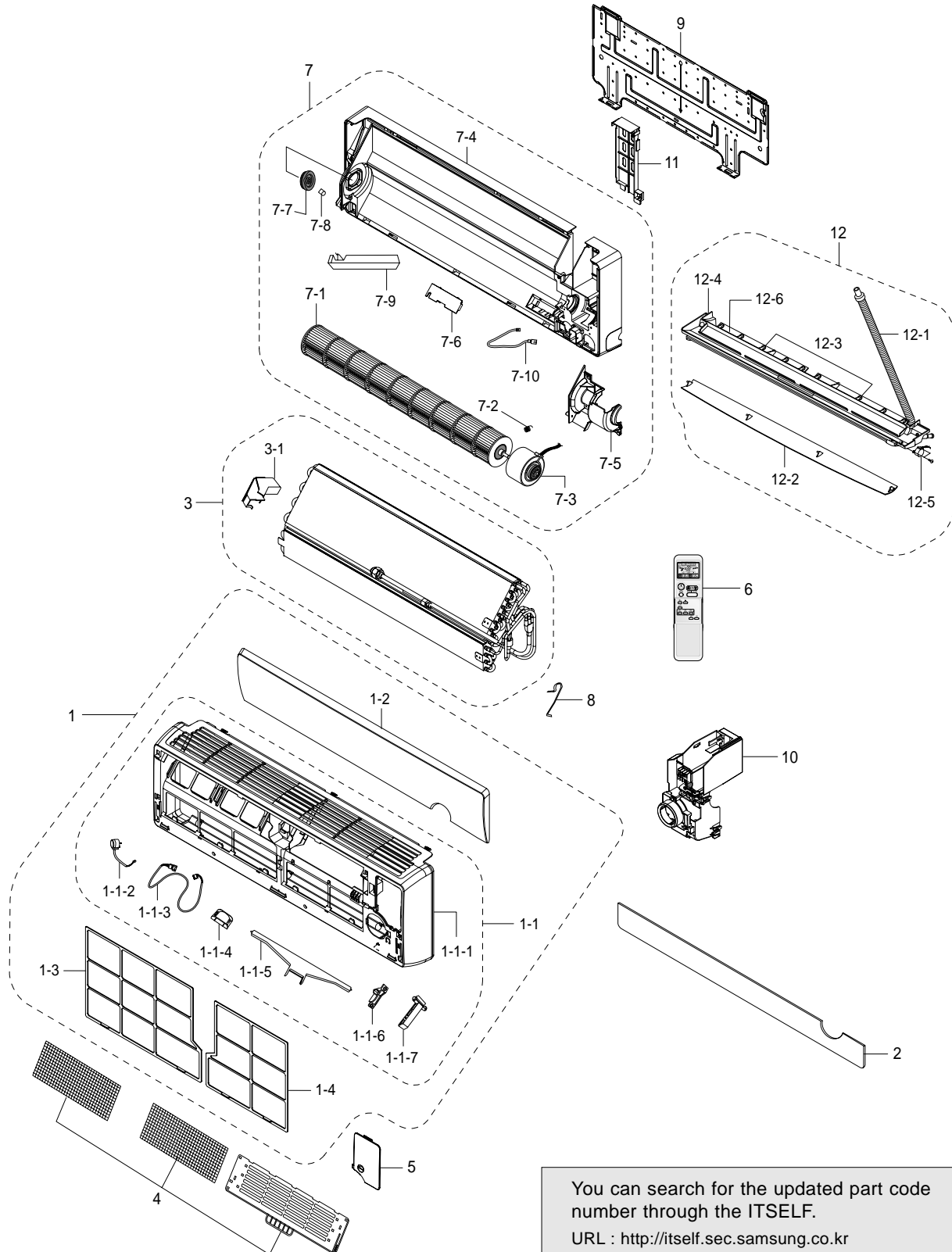


# 7. Exploded Views and Parts List

## 7-1 Indoor Unit

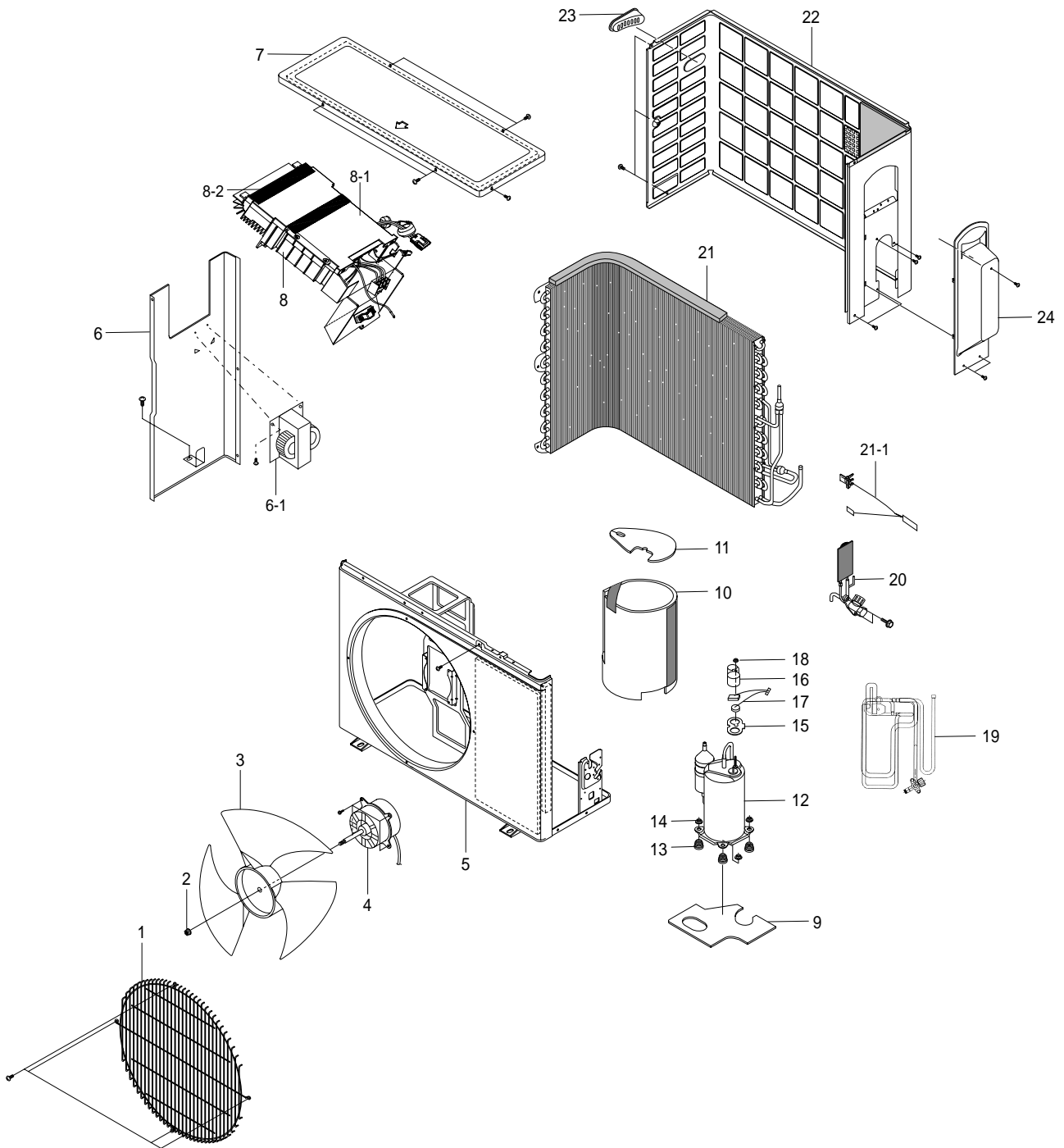


You can search for the updated part code number through the ITSELF.  
URL : <http://itself.sec.samsung.co.kr>

## ■ Parts List

No.	Code No.	Description	Specification	Q'TY		Remark
				SH09BPD	SH12BPD	
1	DB92-00383A	ASS'Y PANEL FRONT TOTAL	ASS'Y	1	1	
1-1	DB92-00392A	ASS'Y PANEL FRONT SUB	ASS'Y	1	1	
1-1-1	DB92-00346A	ASS'Y PANEL FRONT	ASS'Y	1	1	
1-1-2	DB31-00166A	MOTOR STEPPING	-	1	1	
1-1-3	DB39-00780A	CONNECT WIRE-STEP MOTOR	-	1	1	
1-1-4	DB61-01114A	HOLDER MOTOR DC	HIPS	1	1	
1-1-5	DB61-01115A	HINGE GRILLE	HIPS	1	1	
1-1-6	DB61-01116A	GUIDE LINK	HIPS	1	1	
1-1-7	DB66-00364A	LINK MOTOR	ABS	1	1	
1-2	DB64-00640A	GRILLE UP	ABS	1	1	
1-3	DB63-00585A	FILTER-AIR LF	PP	1	1	
1-4	DB63-00586A	FILTER-AIR RH	PP	1	1	
2	DB92-00388A	ASS'Y GRILLE LOW SUB	ASS'Y	1	1	
3	DB96-02092B	ASS'Y EVAPORATOR	ASS'Y	1	1	
3-1	DB63-00667A	COVER DRAIN	PP	1	1	
4	DB95-00367C	ASS'Y FILTER BIO	ASS'Y	1	1	
5	DB63-00581A	COVER TERMINAL	HIPS	1	1	
6	DB93-01452G	ASS'Y REMOCON	ASS'Y	1	1	
7	DB94-00256B	ASS'Y BACK BODY TOTAL	ASS'Y	1	1	
7-1	DB94-00040R	ASS'Y CROSS FAN	ASS'Y	1	1	
7-2	DB60-20011A	BOLT SPECIAL	-	1	1	
7-3	DB31-00152B	MOTOR-FAN IN	-	1	1	
7-4	DB94-00261B	ASS'Y BACK BODY SUB	ASS'Y	1	1	
7-5	DB61-01099A	HOLDER-MOTOR	PP	1	1	
7-6	DB63-00580A	COVER-IONIZER	HIPS	1	1	
7-7	DB73-00128A	BEARING MOLD	-	1	1	
7-8	DB94-40007A	BEARING	-	1	1	
7-9	DB93-01629A	ASS'Y IONIZER	ASS'Y	1	1	
7-10	DB93-01383D	ASS'Y CONNECTOR WIRE ION	-	1	1	
8	DB67-60030A	SPRING SENSOR	-	1	1	
9	DB70-00276A	HANGER PLATE	SGCC-M	1	1	
10	DB93-02583A	ASS'Y CONTROL IN	ASS'Y	1	1	Refer to 32 page
11	DB90-00992A	ASS'Y HOLDER-PIPE	ASS'Y	1	1	
12	DB94-00259A	ASS'Y TRAY DRAIN	ASS'Y	-	1	Option
	DB94-00259E	ASS'Y TRAY DRAIN	ASS'Y	-	1	
	DB94-00259B	ASS'Y TRAY DRAIN	ASS'Y	1	-	
12-1	DB94-00062E	ASS'Y HOSE DRAIN	ASS'Y	1	1	
12-2	DB61-01103A	BLADE-H	HIPS	1	1	
12-3	DB61-01104A	BLADE-V	PP	1	1	
12-4	DB63-00587A	TRAY DRAIN	HIPS	1	1	
12-5	DB95-20138A	ASS'Y STEPPING MOTOR	ASS'Y	1	1	
12-6	DB63-00634A	GUARD-SAFETY WIRE	-	1	1	Option

# 7-2 Outdoor Unit

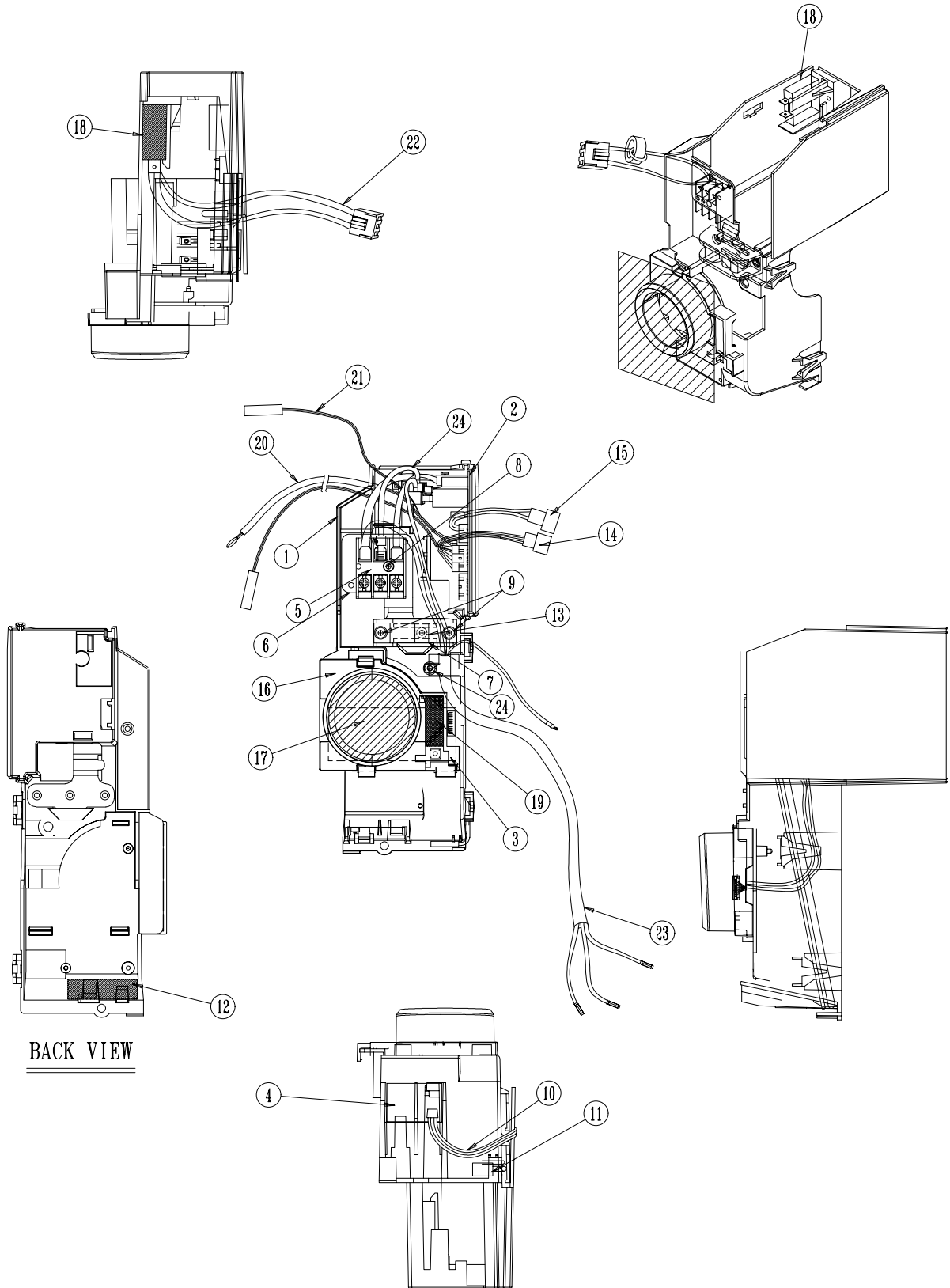


## ■ Parts List

No.	Code No.	Description	Specification	Q'TY		Remark
				SH09BPDX	SH12BPDX	
1	DB90-00071A	GUARD-FAN	HSER	1	1	
2	DB60-30004A	NUT-FLANGE	2C SM20C M6 NTR	1	1	
3	DB67-50063A	PROPELLER-FAN	AS+G/F, ø405	1	1	
4	DB31-10058E	MOTOR-FAN OUT	AMASS-020WTVB	1	1	
5	DB90-00147B	ASS'Y-FRAME	ASS'Y	1	1	
6	DB94-00043H	ASS'Y-PARTITION	ASS'Y	1	1	
6-1	DB27-10037A	REACTOR	12A, 21mH	1	1	
7	DB90-00150C	CABI-UPPER	SECC-P	1	1	
8	DB93-02582A	ASS'Y-CONTROL OUT	ASS'Y	1	1	
8-1	DB93-02581A	ASS'Y-MAIN PCB-OUT	ASS'Y	1	1	
8-2	DB93-02515A	HEATSINK	-	1	1	
9	DB72-00196A	CLOTH-COMP BOTTOM	FELT	1	1	
10	DB72-00211A	CLOTH-COMP SIDE	FELT	1	1	
11	DB72-00231A	CLOTH-COMP UPPER	FELT	1	1	
12	G4C090LU2ER	COMPRESSOR	G4C090LU2ER	1	1	
13	DB73-10004B	GROMMET-ISOLATOR	Silicon	3	1	
14	DB60-30029A	NUT-WASHER	HEX 2C MB ZPC	3	3	
15	DB63-20003A	GASKET	EPDM	1	3	
16	DB63-10034A	COVER-TERMINAL	NORYL	1	1	
17	DB32-10043B	THERMISTOR-OLP	204CT / 103AT	1	1	
18	DB60-30018A	NUT-FLANGE	M5, SM20C	1	1	
19	DB99-00026B	ASS'Y-4WAY VALVE	25kg/cm2G	1	1	
20	DB99-00041A	ASS'Y-CHECK VALVE	ASS'Y	1	1	
21	DB96-00279A	ASS'Y-CONDENSER	ASS'Y	1	1	
21-1	DB32-10040A	THERMISTOR-OUT	204CT / 103AT	1	1	
22	DB64-00186A	CABI-SIDE	SECC-P	1	1	
23	DB67-90024A	HANDLE-CABI, LF	ABS	1	1	
24	DB63-00070A	COVER-VALVE	ABS	1	1	
					1	

# 7-3 Ass'y Control In (Indoor Unit)

■ SH09BPD / SH12BPD : DB93-02583A



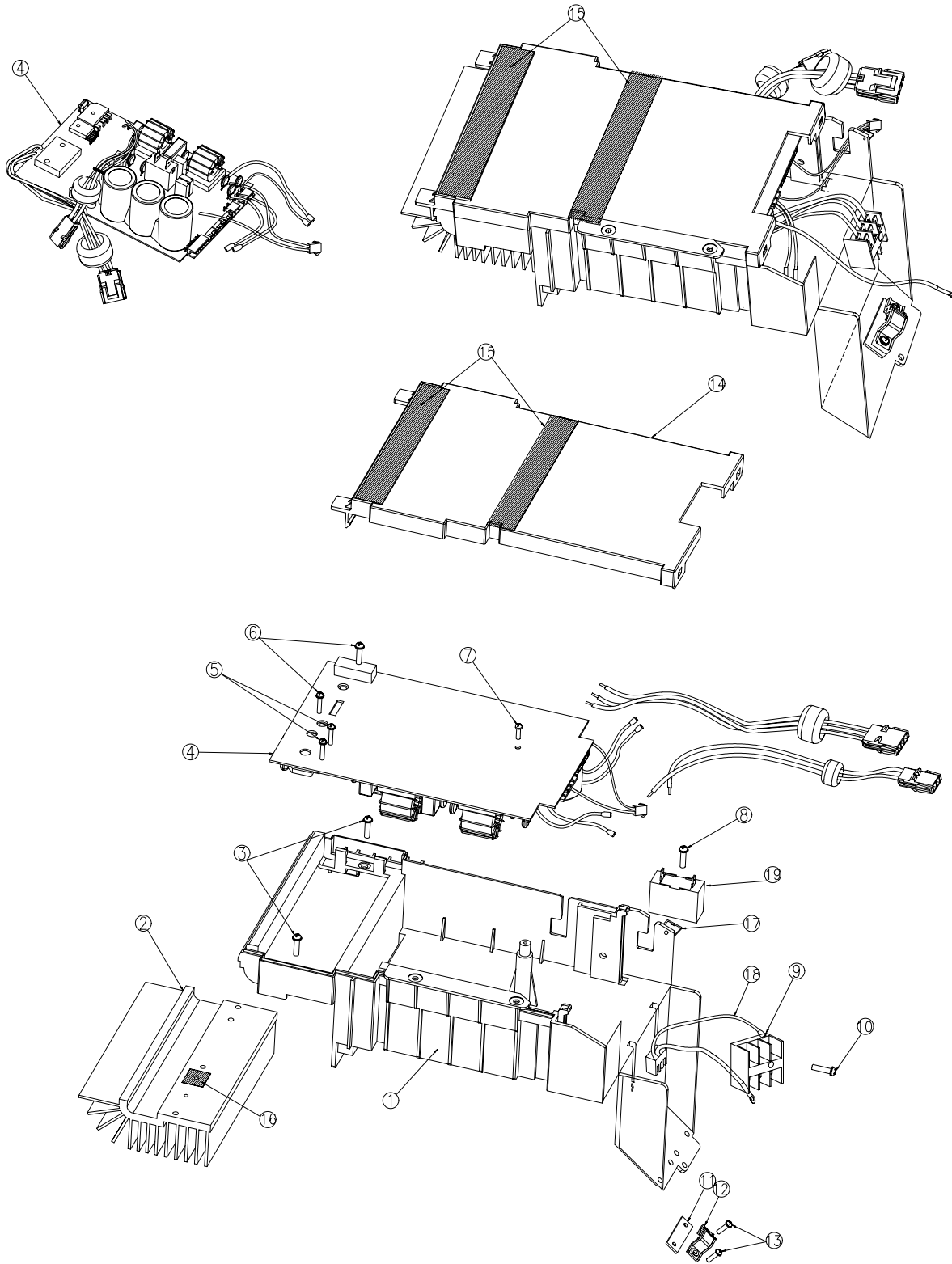
BACK VIEW

## ■ Parts List

No.	Code No.	Description	Specification	Q'TY	Remark
1	DB61-01631A	CASE-CONTROL	ABS	1	
2	DB93-02584A	ASS'Y MAIN PCB	ASS'Y	1	
3	DB93-01368G	ASS'Y S/W & DISPLAY PCB	ASS'Y	1	
4	DB93-01369A	ASS'Y-MODULE PCB	ASS'Y	1	
5	DB65-00149A	ASS'Y TERMINAL BLOCK	ASS'Y	1	
6	DB70-00289A	PLATE TERMINAL LOW	SGCC-M,T1.2	1	
7	DB61-00171A	HOLDER WIRE CLAMP	HIPS	1	
8	6001-000929	SCREW-MACHINE	PH M3xL22	1	SNA
9	6001-000725	SCREW-MACHINE	TH M4xL16	2	SNA
10	DB93-01380B	C/W MODULE	ASS'Y	1	
11	DB39-00643F	C/W STEP MOTOR UP/DOWN	ASS'Y	1	SNA
12	DB62-01368X	SEAL	61x40x3,30FOAM-PE,GRAY	1	SNA
13	-	SCREW-MACHINE	PH M4x10	1	
14	DB39-00780B	C/W STEPPING MOTOR	ASS'Y(AUTO GRILLE)	1	
15	DB39-00820A	C/W ION-PCB	ASS'Y	1	
16	DB61-01110A	HOLDER-DISPLAY	ABS	1	
17	DB64-00763A	HALF MIRROR	95,T1.5	1	
18	2301-001339	FAN CAPACITOR	1.2 $\mu$ F/450V	1	
19	DB72-00126N	SEAL	T3, FOAM-PE,GRAY	1	
20	DB32-00084B	THERMISTOR	OUT, $\phi$ 6,220	1	
21	DB32-00054B	THERMISTOR	IN, $\phi$ 5,200	1	
22	DB39-00183A	C/W FAN_CAP	UL1015 AWG #22	1	
23	DB93-01549C	POWER CORD	15A	1	
24	6001-001054	SCREW-MACHINE	TH M4xL10	1	

# 7-4 Ass'y Control Out (Outdoor Unit)

■ SH09BPDX / SH12BPDX : DB93-02582A



## ■ Parts List

No.	Code No.	Description	Specification	Q'TY	Remark
1	DB61-00744A	CASE CONTROL BASE	RESIN-ABS	1	
2	DB62-02515A	HEAT SINK	105x160x43.5	1	
3	6006-001051	SCREW-MACHINE	M4x16 WSP PH+	2	
4	DB93-02581A	ASS'Y PCB OUT		1	
5	6006-000160	SCREW-MACHINE	M3x16 WSP PH+	2	
6	6006-001051	SCREW-MACHINE	M4x16 WSP PH+	2	
7	-	SCREW-TAPPING	M3x8 2S PH+	1	
8	-	SCREW-TAPPING	M3x14 WSP PH+	1	
9	DB65-00086C	ASS'Y TERMINAL BLOCK	CBF-HARNESS	1	
10	6006-001023	SCREW-MACHINE	M4x25 WSP PH+	1	
11	-	RUBBER CLAMP	NBR	1	
12	DB61-40249A	HOLDER WIRE	RESIN-ABS	1	
13	6006-001051	SCREW-MACHINE	M4x16 WSP PH+	2	
14	DB61-00745A	COVER CASE CONTROL UP	RESIN-ABS	1	
15	-	FOAMLEX	165x30xT2	2	
16	-	HEATPROOF MICA	17.4x22.3xT0.5	1	
17	-	WIRE SADDLE	ST750294-3/MG620023	1	31x25,6NB
18	DB39-00609C	CONNECTOR WIRE AC	UL1015 AWG#20	1	
19	DB93-00963A	RUN CAPACITOR	1.7 $\mu$ F/450V	1	