

Technical Bulletin

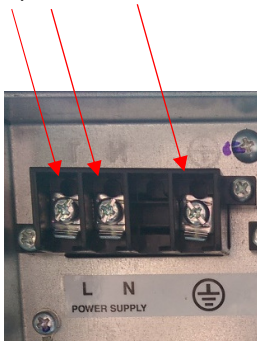
Number	P016
Subject	Panasonic – Multi-Split Wiring
Date	12 October 2018

Interconnecting wiring for Multi-Split indoors with either TZ, TE (Compact) or Etherea Wall mounts should use a 3 Core + Earth (4 Core) Interconnecting cable per set of pipes / indoor FCU.

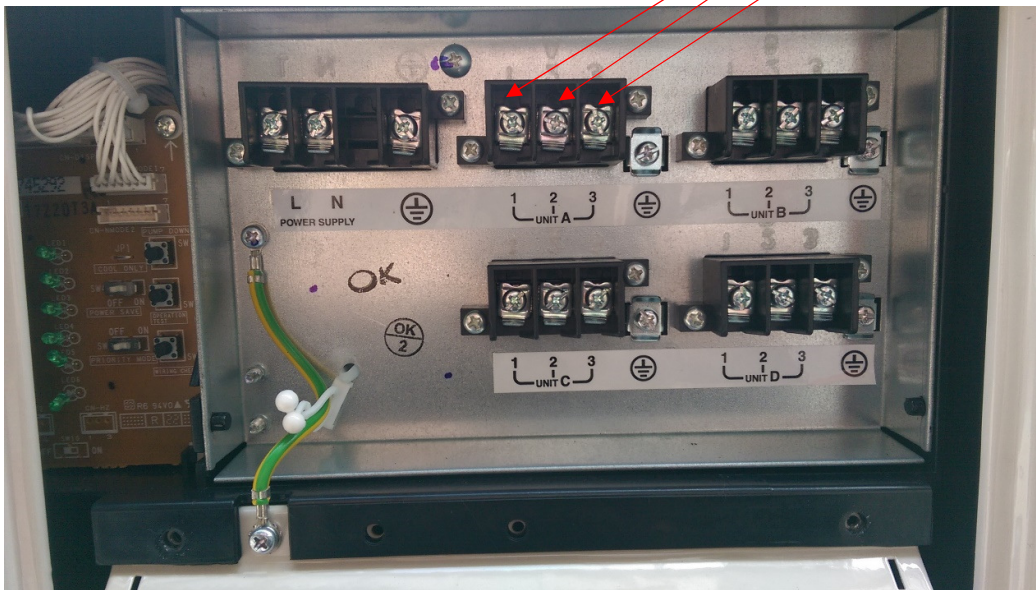
Wiring to the outdoor -

Please run power to the outdoor unit / condenser using Terminals

L, N & Earth.



For interconnecting cable (3 core + earth / 4 core) use terminals 1, 2 & 3 per set of pipes or indoor FCU used for example our first unit would be unit A and the 2nd Unit being Unit B.

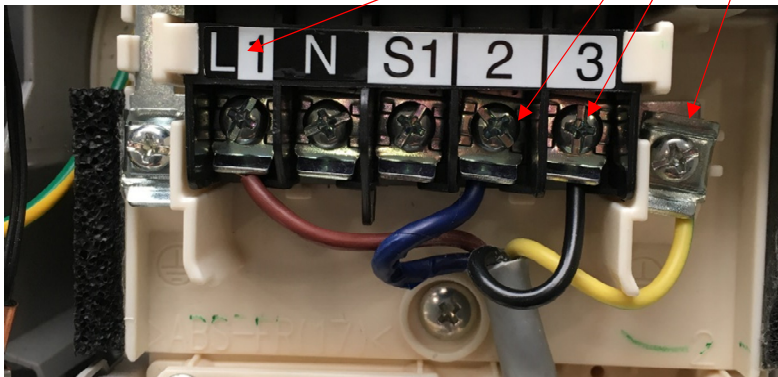


Technical Bulletin

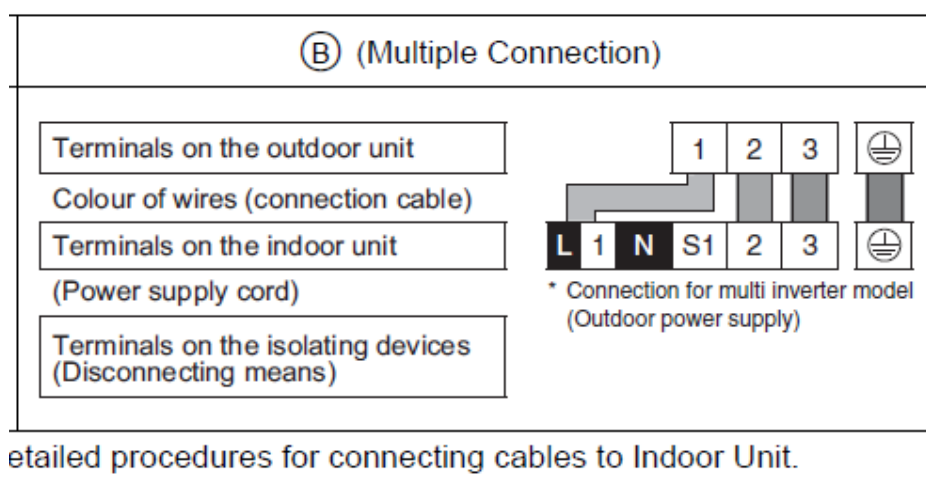
Indoor Unit Wiring – Etherea Wall Mounts Only

Your indoor wall mount will obtain power from the condenser and therefore does not need an additional or sperate power supply when using a multi-split condenser.

Using the interconnecting wiring from the condenser as per the above wire to the relevant unit (Unit A, Unit B etc) onto L, 2, 3 & E. Ignoring Terminal 1, as per the below.



Your wiring should be as per the below diagram per set of pipes or per indoor wall mount.

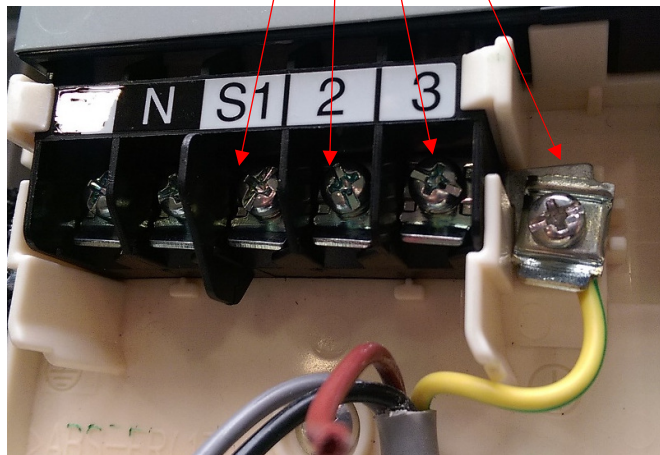


Technical Bulletin

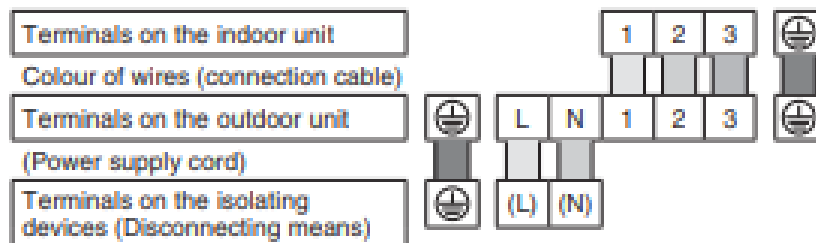
Indoor Unit Wiring – TE (Compact) & TZ Wall mounts

Your indoor wall mount will obtain power from the condenser and therefore does not need an additional or sperate power supply when using a multi-split condenser.

Using the interconnecting wiring from the condenser as per the above wire to the relevant unit (Unit A, Unit B etc) onto 1, 2, 3 & E. Ignoring Terminal L & N, as per the below.



Your wiring should be as per the below diagram per set of pipes or per indoor wall mount.



Any problems, please contact Technical @ Logicool on 01283 218 277.