



**SPLIT TYPE
AIR CONDITIONER
DUCT type (50Hz)**

**SERVICE
MANUAL**



Indoor unit	Outdoor unit
ARHA30LBTU	AOHA30LBTL
ARHA36LBTU	AOHA36LBTL

CONTENTS

SPECIFICATIONS.....	1
DIMENSIONS	2
REFRIGERANT SYSTEM DIAGRAM.....	4
CIRCUIT DIAGRAM	5
INDOOR PCB CIRCUIT DIAGRAM	6
OUTDOOR PCB CIRCUIT DIAGRAM.....	9
ERROR CONTENTS	13
PARTS (INDOOR UNIT).....	15
PARTS (OUTDOOR UNIT).....	18
ACCESSORIES	22

SPECIFICATIONS

ELECTRICAL DATA

TYPE		Cooling & Heating	
INDOOR UNIT		ARHA30LBTU	ARHA36LBTU
OUTDOOR UNIT		AOHA30LBTU	AOHA36LBTU
COOLING CAPACITY		8.5 kW	9.4 kW
HEATING CAPACITY		10.0 kW	11.2 kW
POWER SOURCE		230 V 50 Hz	230 V 50 Hz
RUNNING CURRENT	Cooling	11.6 A	12.8 A
	Heating	11.7 A	13.6 A
INPUT WATTS	Cooling	2.65 kW	2.93 kW
	Heating	2.68 kW	3.10 kW
E.E.R.	Cooling	3.21 kW/kW	3.21 kW/kW
	Heating	3.73 kW/kW	3.61 kW/kW
STARTING CURRENT		15 A	15 A
MOISTURE REMOVAL		2.5 L/hr	3.0 L/hr
AIRCIRCULATION INDOOR		2,100 m ³ /hr	2,100 m ³ /hr
AIRCIRCULATION OUTDOOR		3,600 m ³ /hr	4,000 m ³ /hr
MAXIMUM CURRENT		17.0 A	20.0 A

COMPRESSOR AND REFRIGERANT

COMPRESSOR TYPE	Hermetic type, Inverter, 4 poles, 3 phase, DC motor, Twin Rotary		
DISCRIMINATION	5KD240XAD21		
WEIGHT (with oil)	16.3 kg		
STANDARD REFRIGERANT	2,100 g		
REFRIGERANT TYPE	R410A		
MAX PIPE LENGTH	50 m		
MAX PIPE HEIGHT	30 m		
FULL CHARGE	Pipe length	20 m	2,100 g
		30 m	2,500 g
		40 m	2,900 g
		50 m	3,300 g
ADDITIONAL CHARGE	40 g/m		

FAN SPEED

INDOOR UNIT	Discrimination	MFG-45RVN	MFG-45RVN
	High speed	1,270 r.p.m.	1,270 r.p.m.
	Med speed	980 r.p.m.	980 r.p.m.
	Low speed	790 r.p.m.	790 r.p.m.
	Quiet	630 r.p.m.	630 r.p.m.
OUTDOOR UNIT	Discrimination	MFE-36TV	MFE-36TV
	Speed	850 r.p.m.	950 r.p.m.

NOISE LEVEL

INDOOR UNIT	High speed	42 dB	42 dB
	Med speed	37 dB	37 dB
	Low speed	32 dB	32 dB
	Quiet	29 dB	29 dB
OUTDOOR UNIT	Cooling	53 dB	54 dB
	Heating	55 dB	55 dB

Note : Static pressure : 47Pa
Duct length : Inlet 1m, Outlet 2m

DIMENSIONS

INDOOR UNIT	H x W x D	270 x 1,135 x 700 mm
OUTDOOR UNIT	H x W x D	830 x 900 x 330 mm

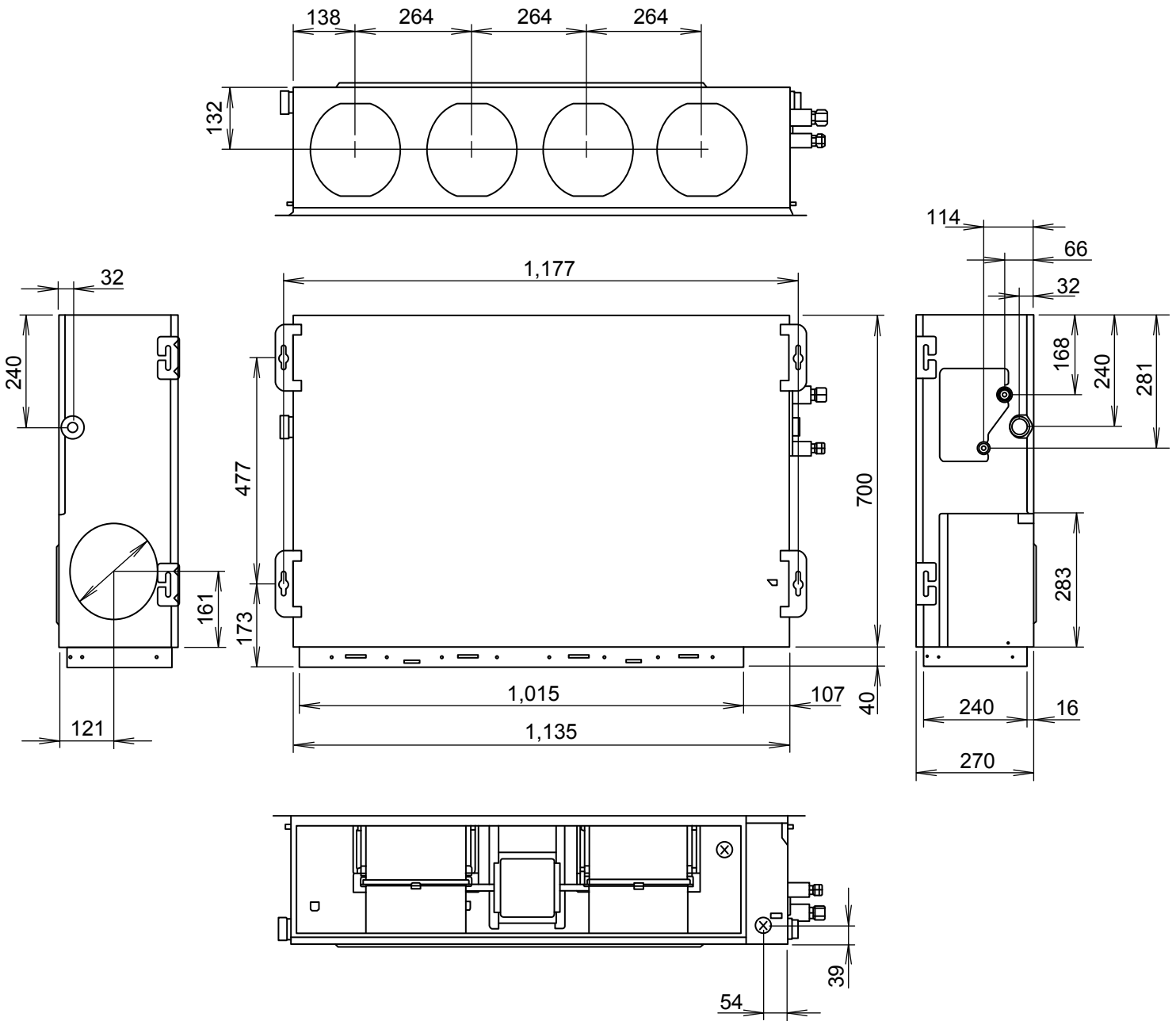
WEIGHT

INDOOR UNIT	Gross / Net	47 kg / 40 kg
OUTDOOR UNIT	Gross / Net	70 kg / 62 kg

DIMENSIONS

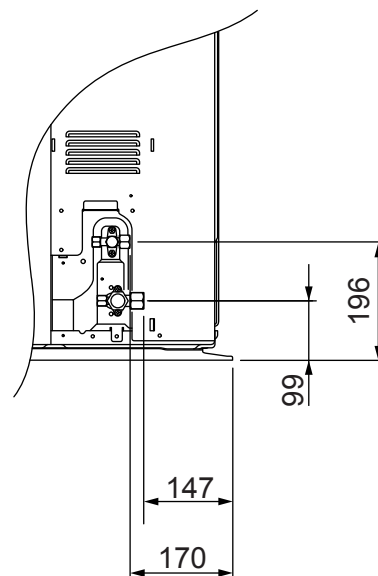
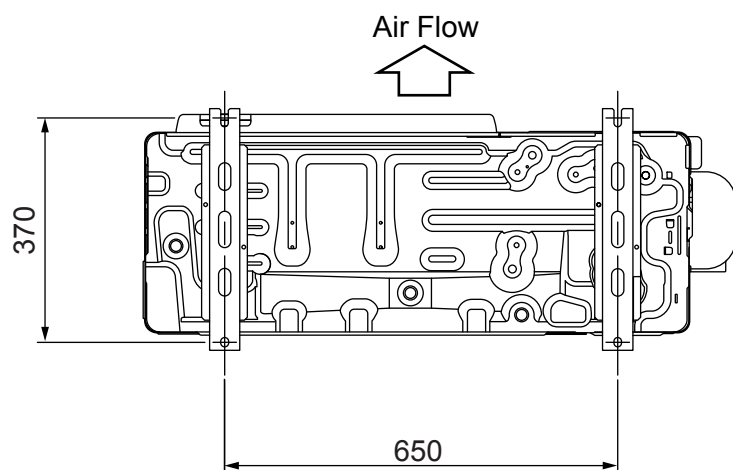
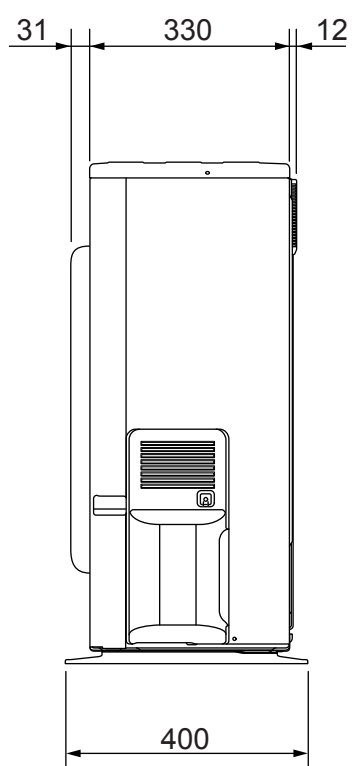
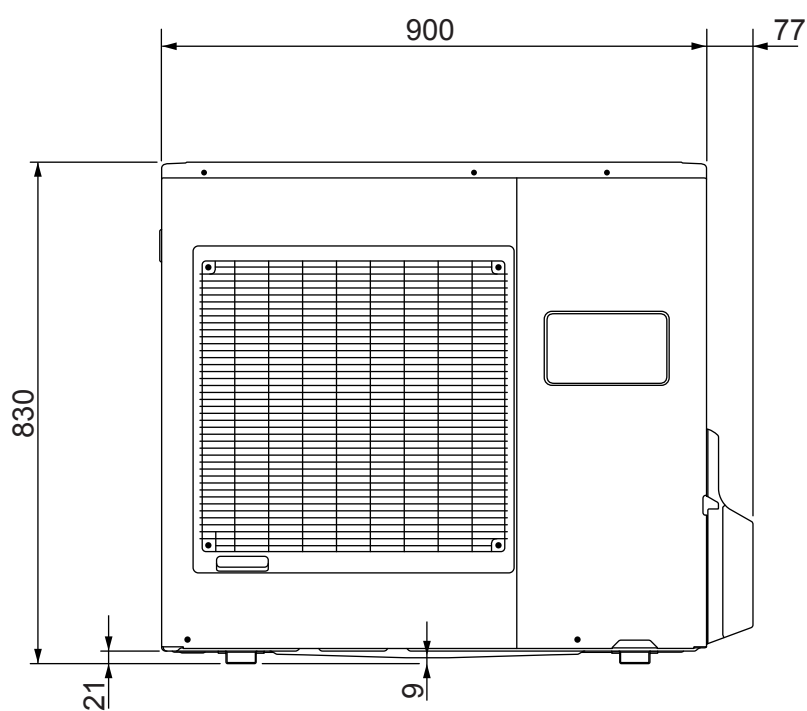
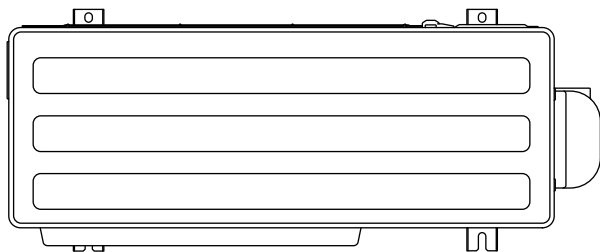
INDOOR UNIT

(Unit : mm)

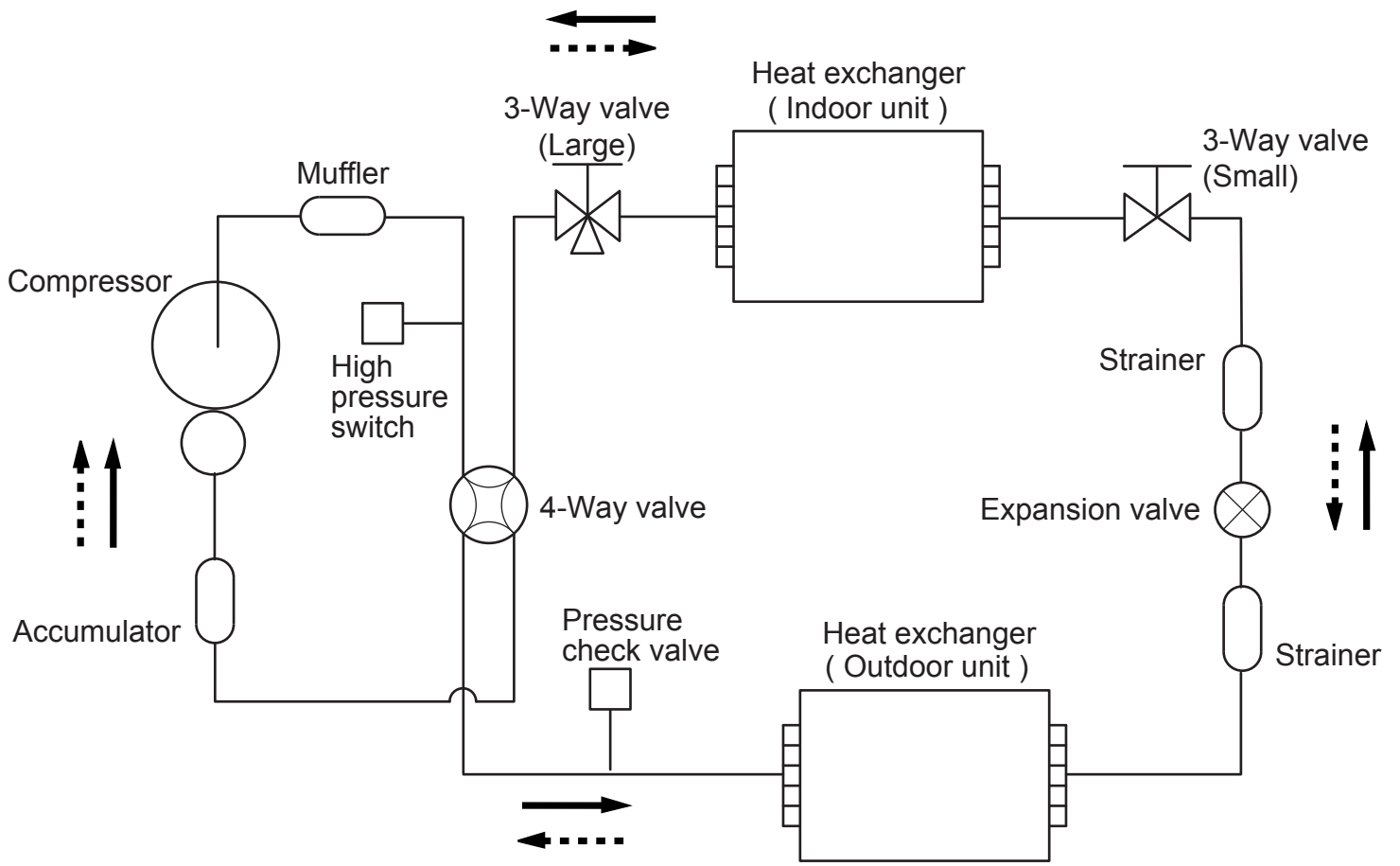


OUTDOOR UNIT

(Unit : mm)



REFRIGERANT SYSTEM DIAGRAM



Refrigerant direction

- Cooling
- - - -> Heating

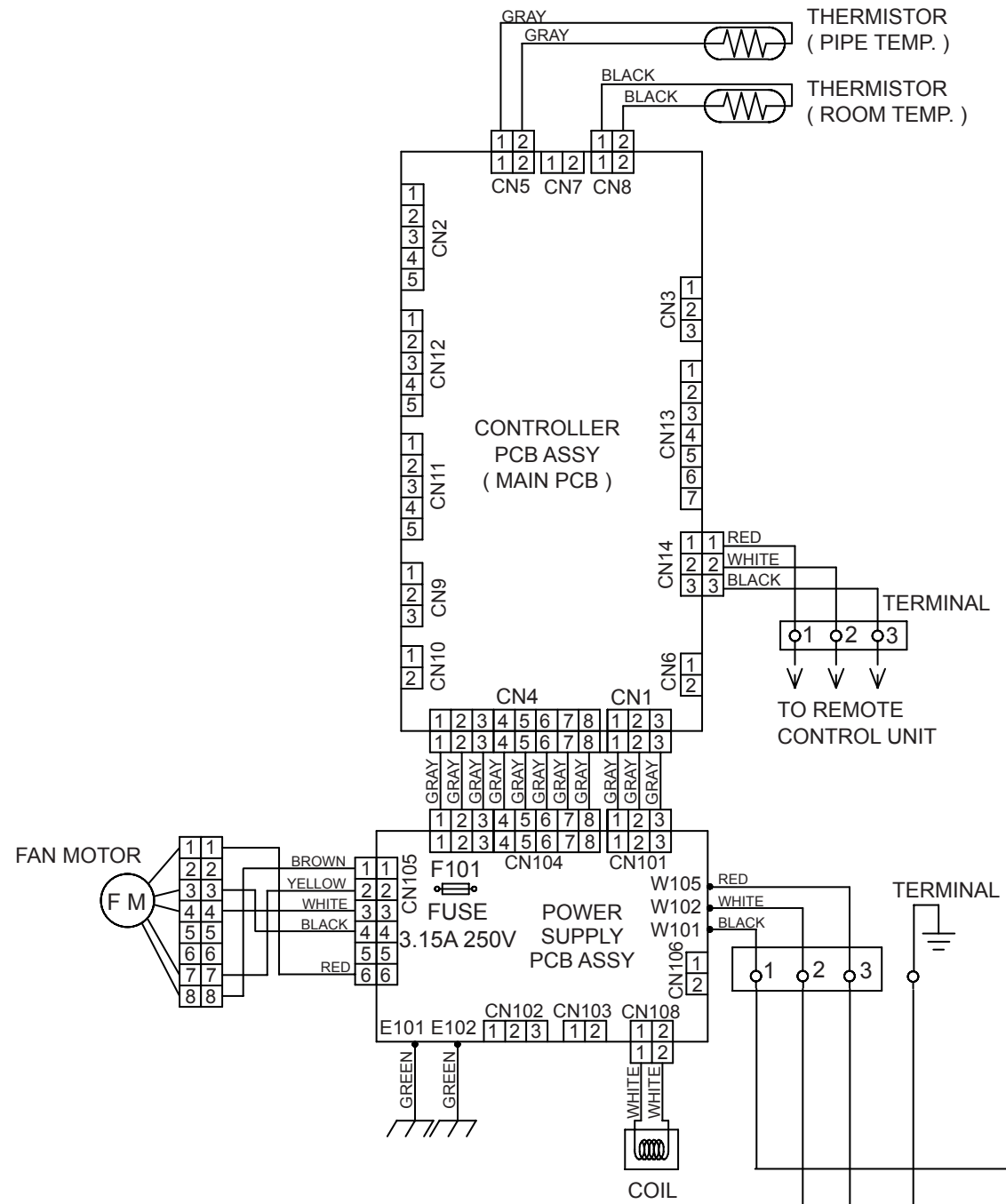
Refrigerant pipe diameter

Liquid : 3/8" (9.52 mm)

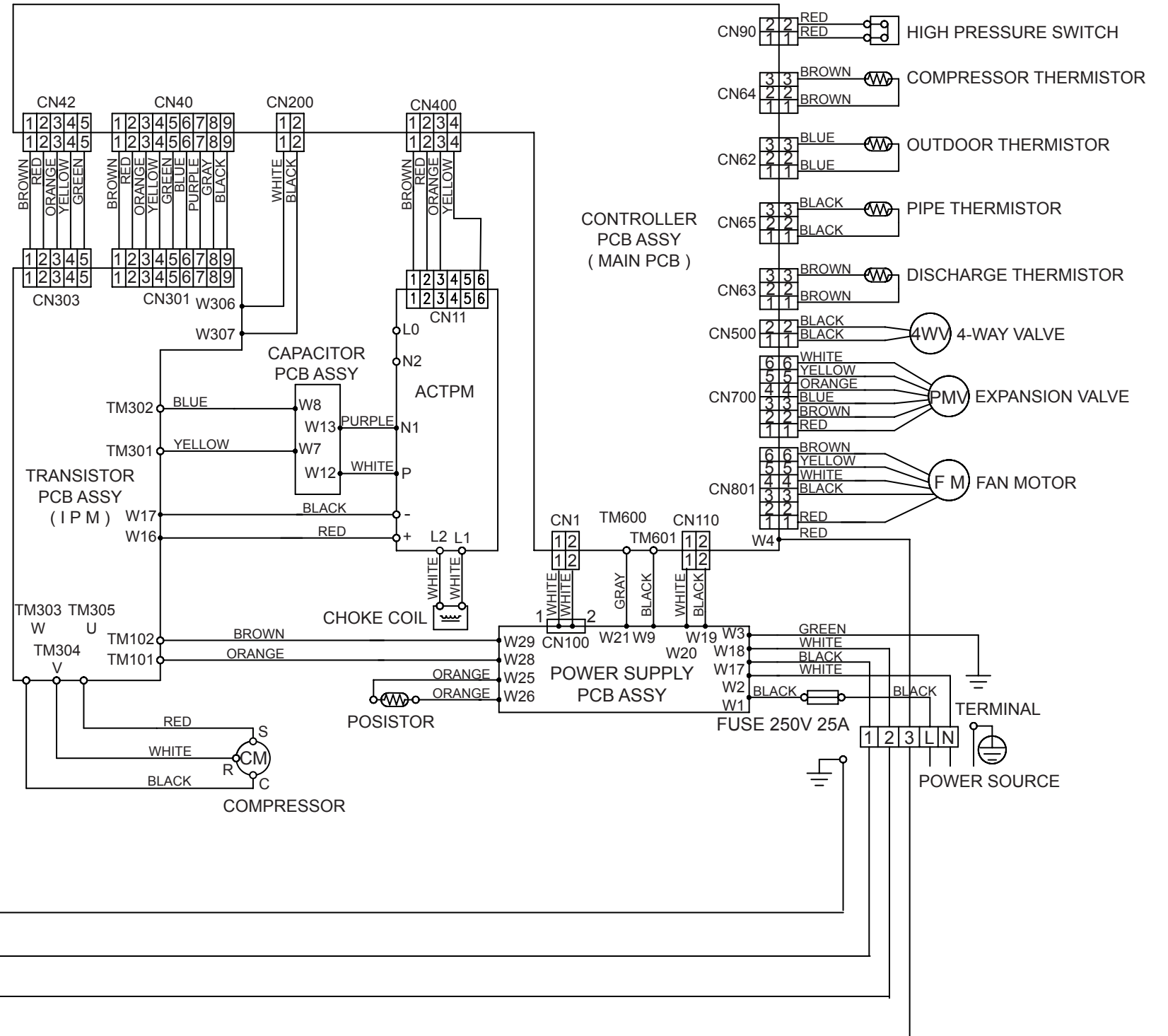
Gas : 5/8" (15.88 mm)

CIRCUIT DIAGRAM

INDOOR UNIT



OUTDOOR UNIT

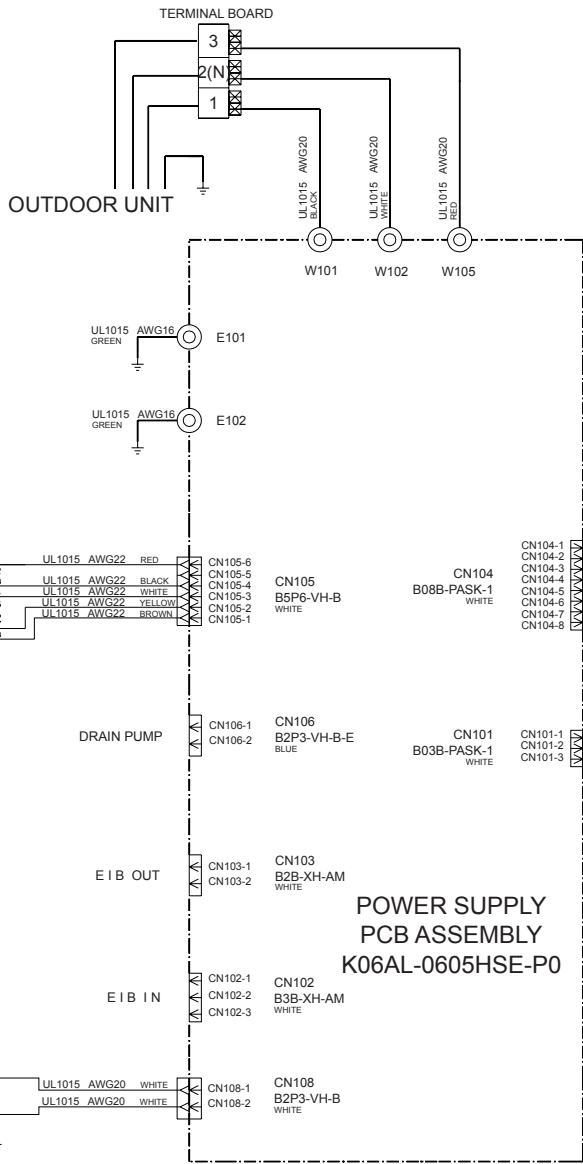


INDOOR PCB CIRCUIT DIAGRAM

CONTROL UNIT

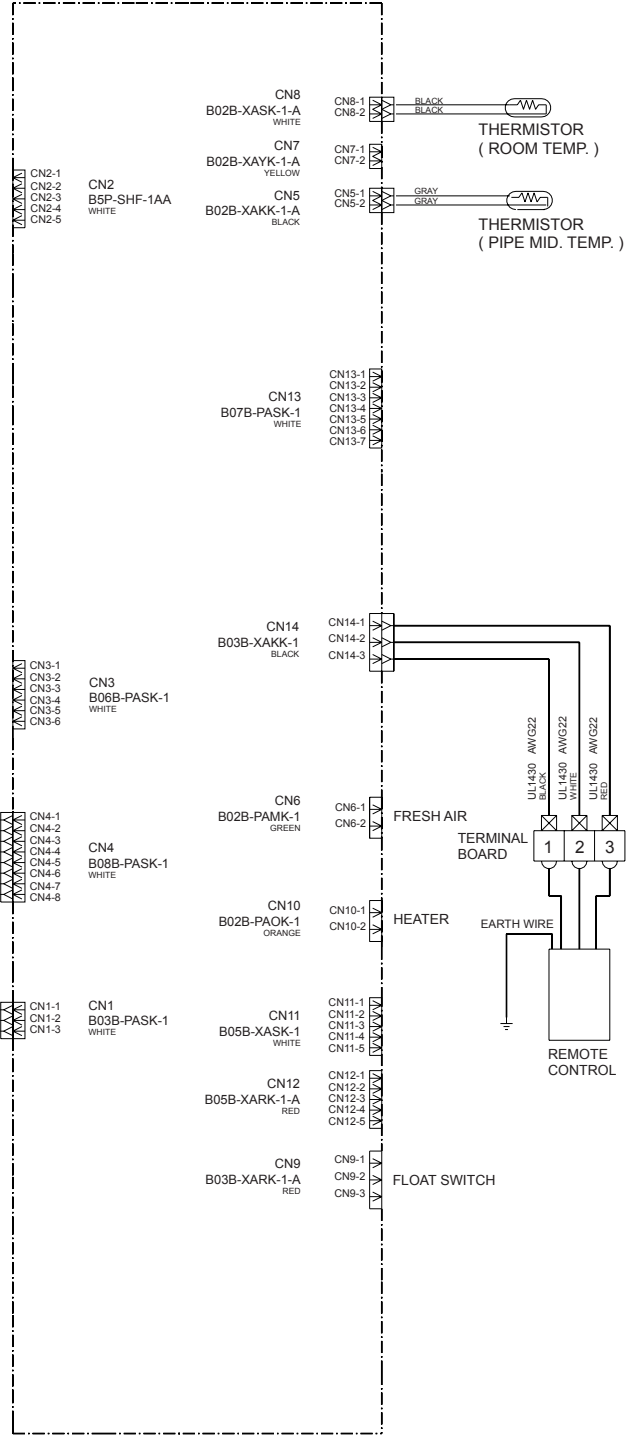
ARHA30LBTU : EZ-00714HSE

ARHA36LBTU : EZ-00715HSE

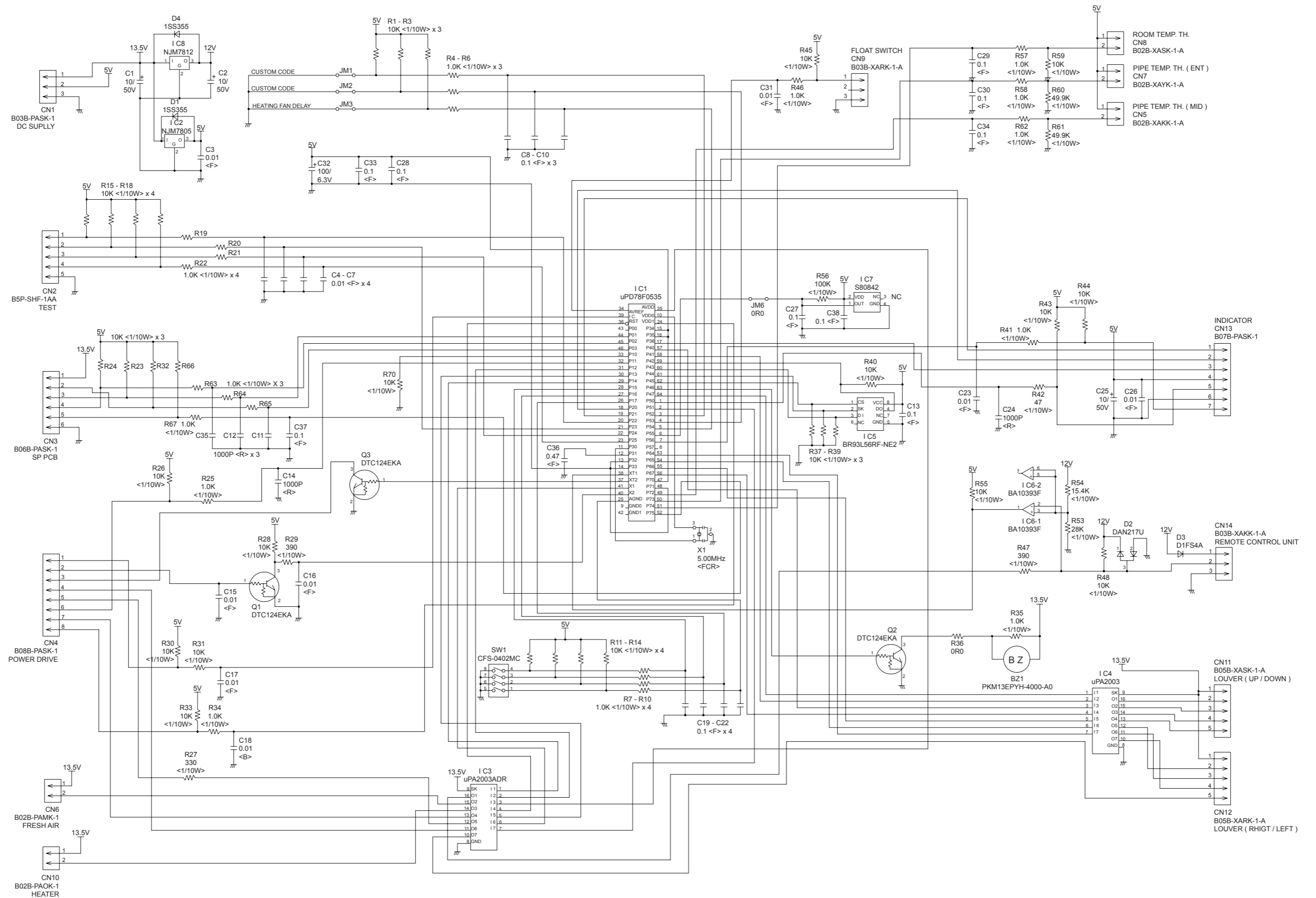


CONTROLLER PCB ASSEMBLY (MAIN PCB)

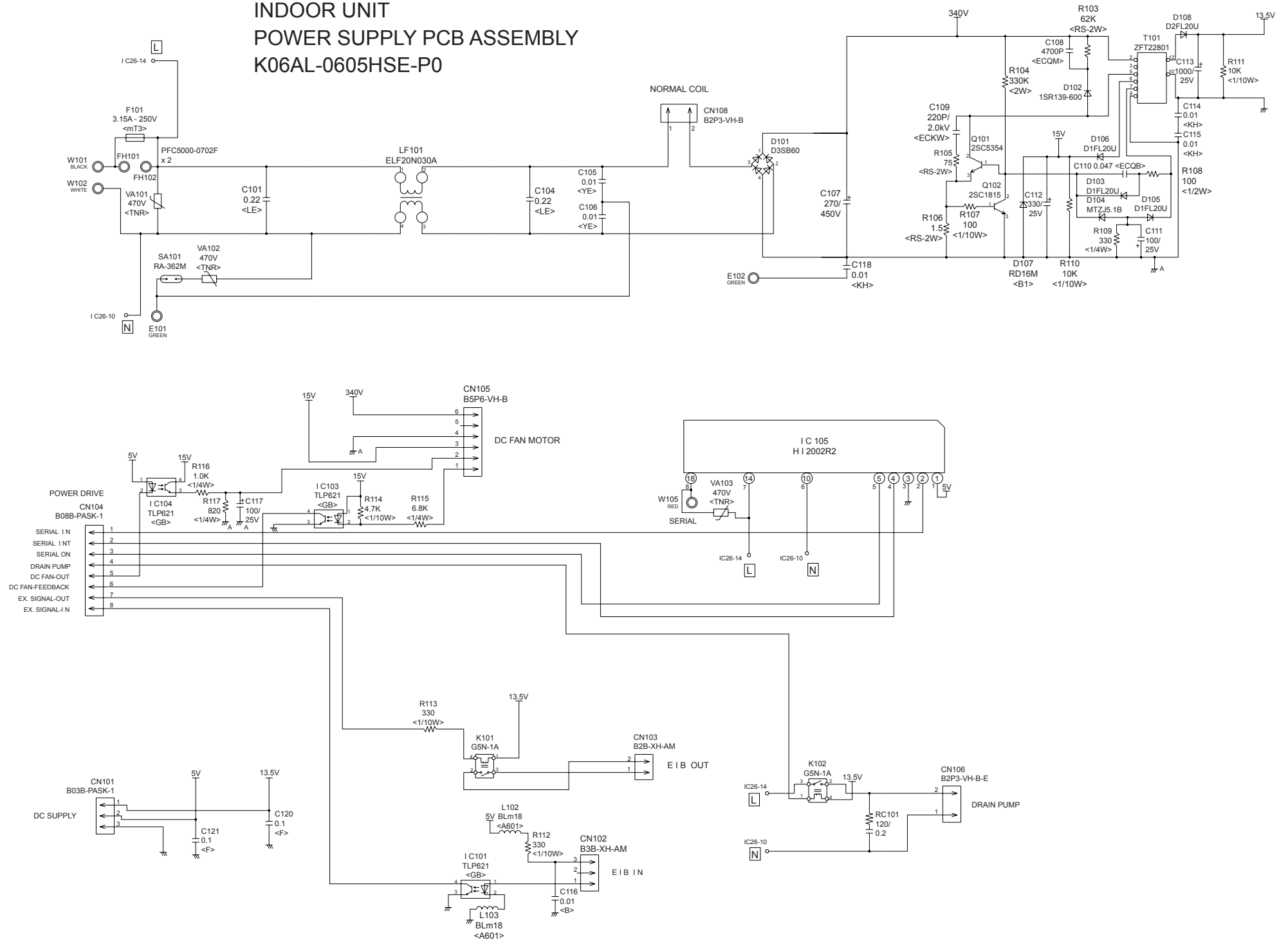
ARHA30LBTU : K06AK-070AHSE-C1
ARHA36LBTU : K06AK-070BHSE-C1



INDOOR UNIT
 CONTROLLER PCB ASSEMBLY (MAIN PCB)
 ARHA30LBTU : K06AK-070AHSE-C1
 ARHA36LBTU : K06AK-070BHSE-C1

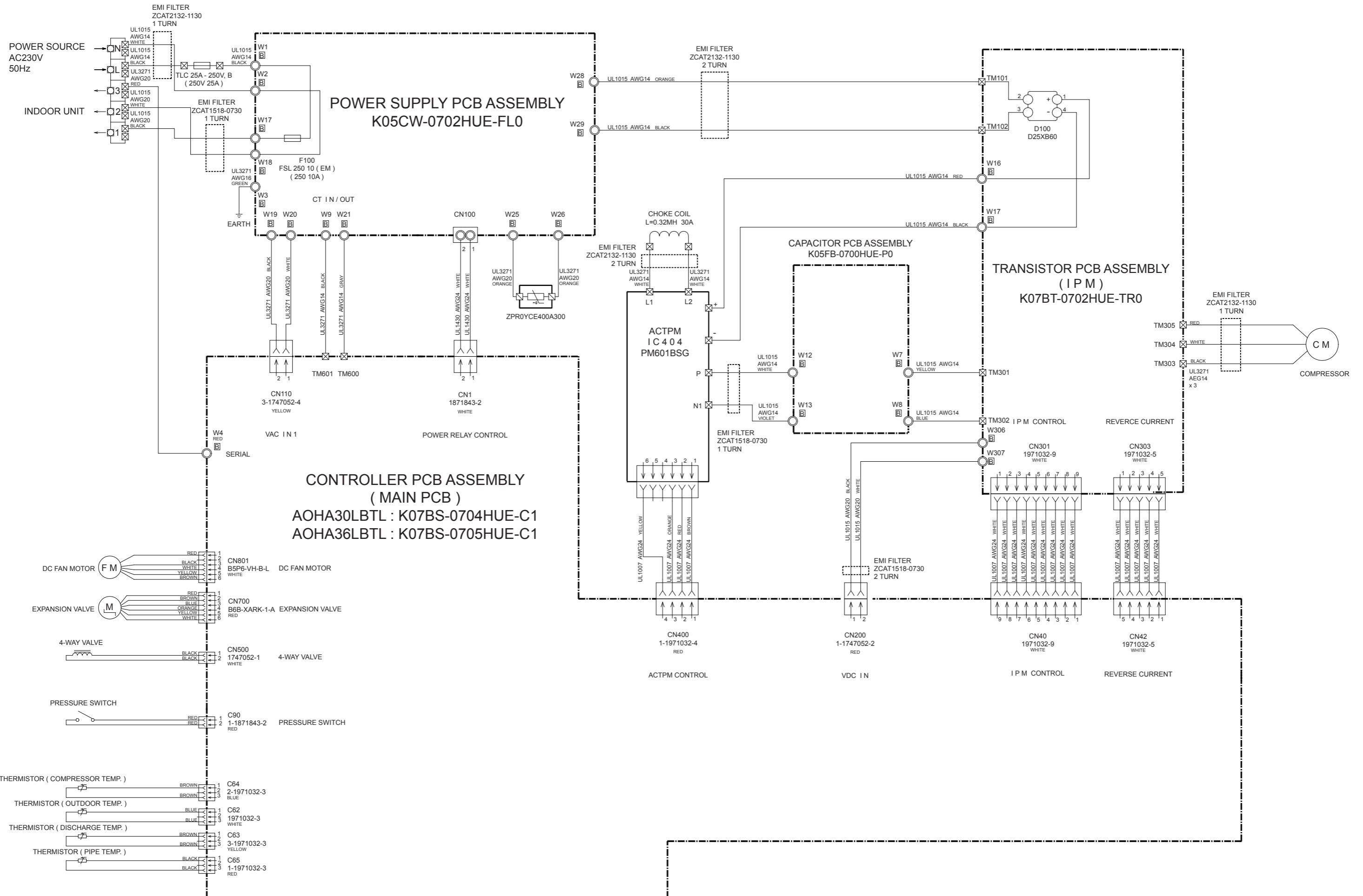


INDOOR UNIT POWER SUPPLY PCB ASSEMBLY K06AL-0605HSE-P0

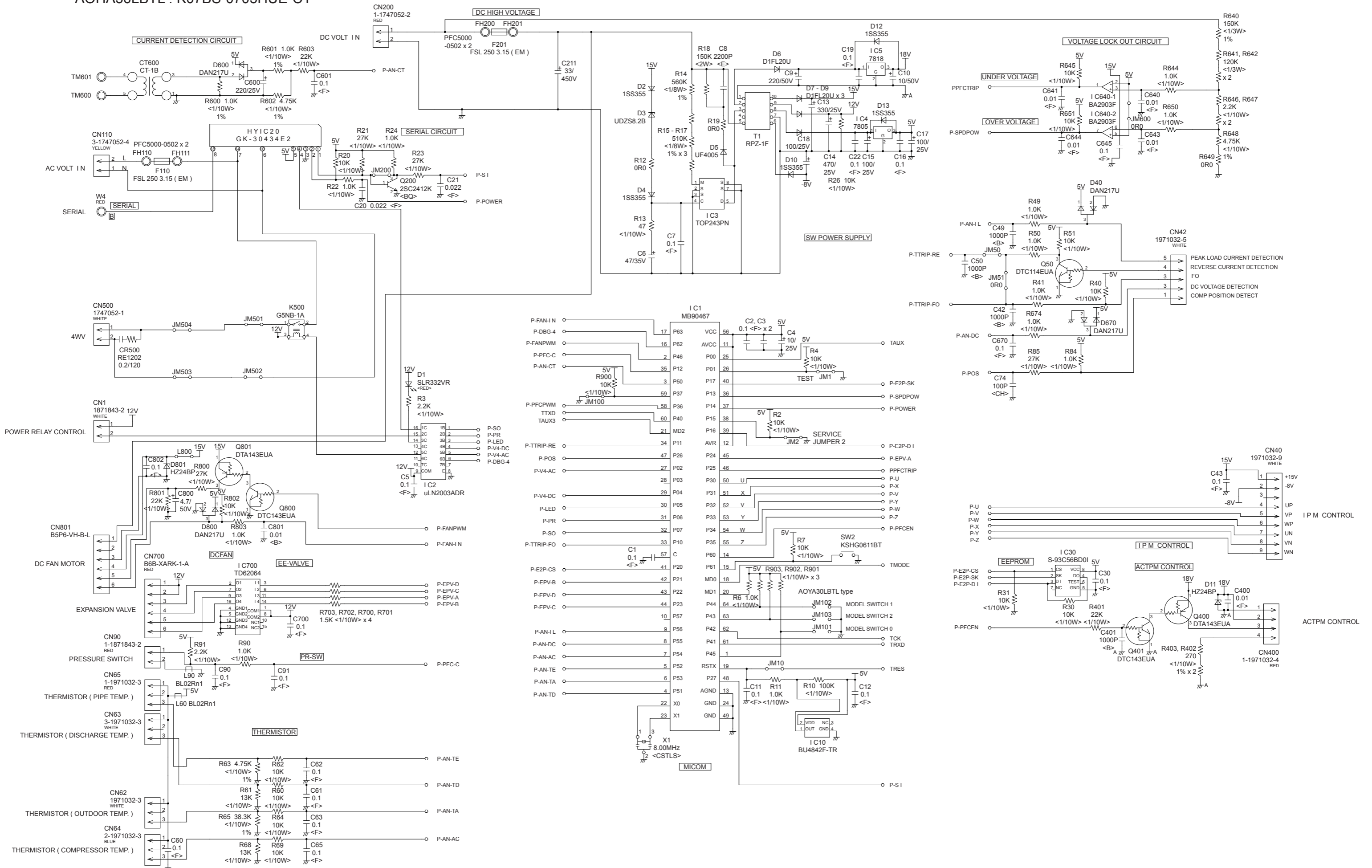


OUTDOOR PCB CIRCUIT DIAGRAM

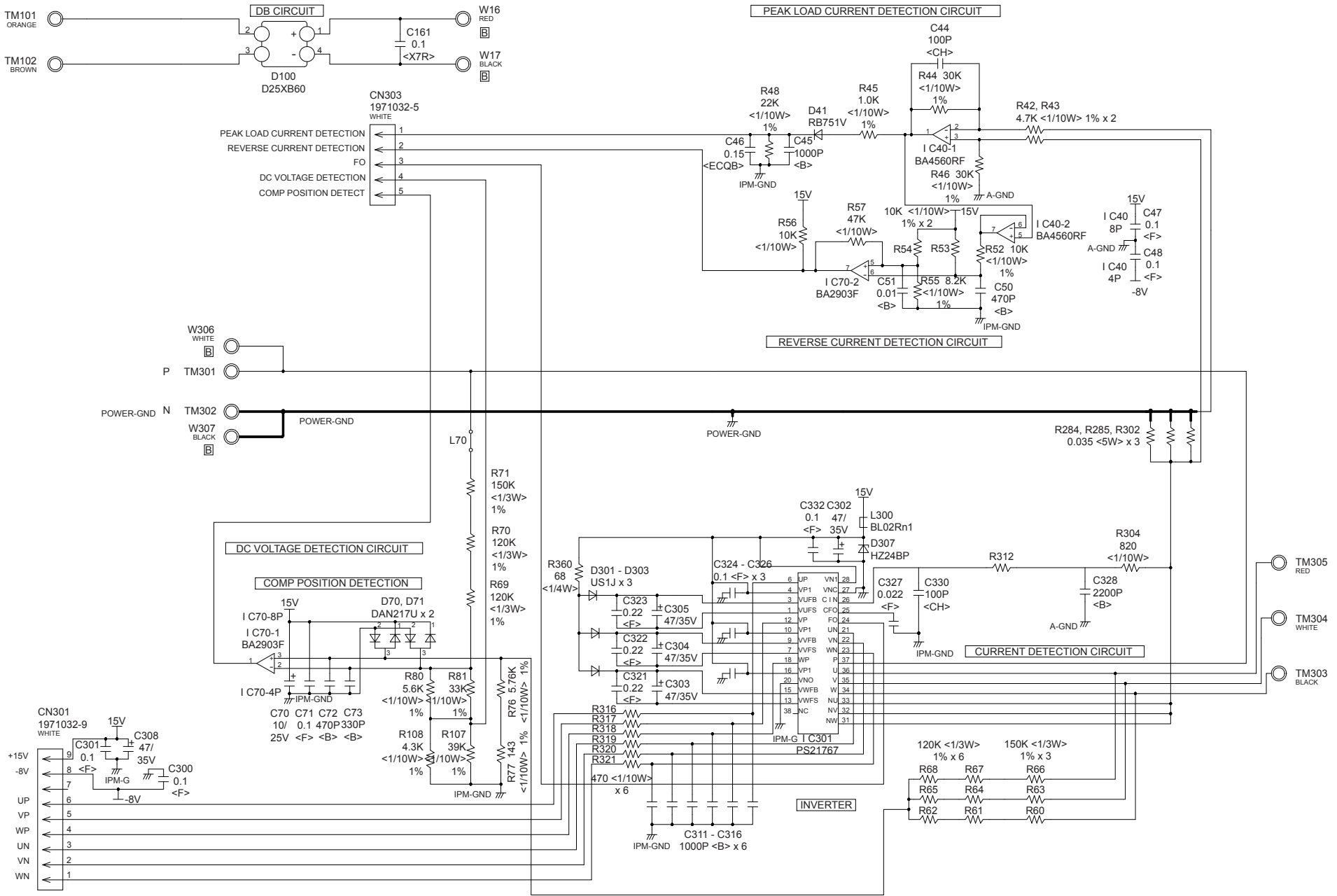
INVERTER ASSEMBLY
 AOHA30LBTL : EZ-007LHUE
 AOHA36LBTL : EZ-007MHUE



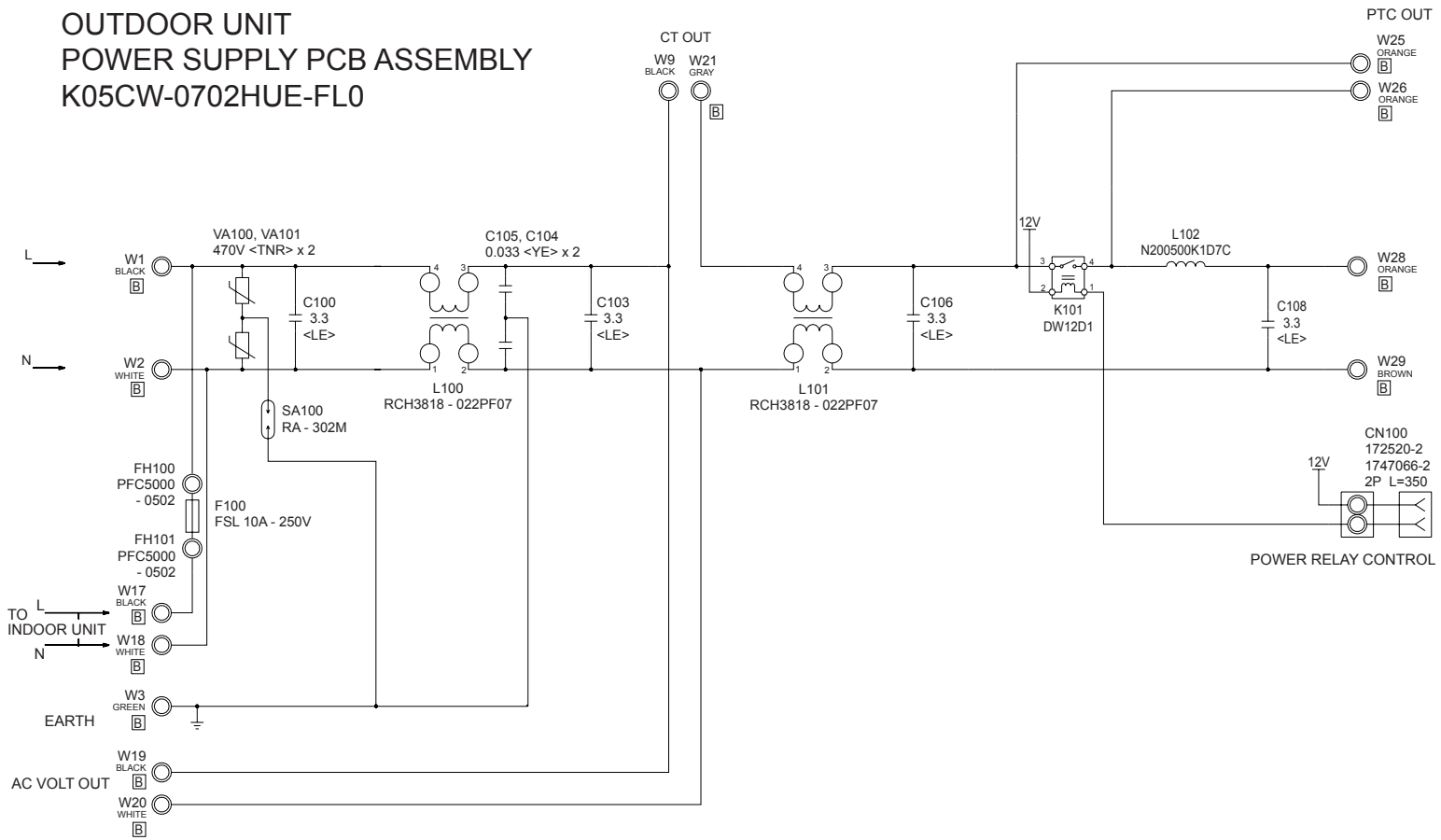
OUTDOOR UNIT
 CONTROLLER PCB ASSEMBLY (MAIN PCB)
 AOHA30LBTL : K07BS-0704HUE-C1
 AOHA36LBTL : K07BS-0705HUE-C1



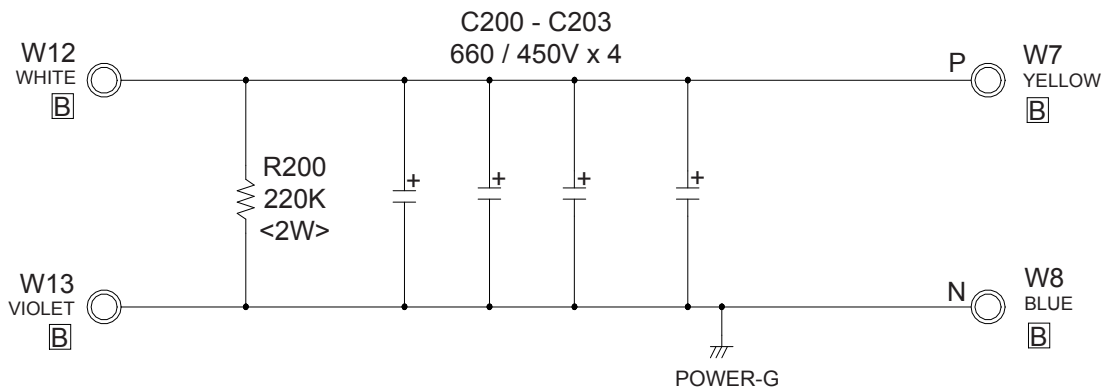
OUTDOOR UNIT TRANSISTOR PCB ASSEMBLY K07BT-0702HUE-TR0



**OUTDOOR UNIT
POWER SUPPLY PCB ASSEMBLY
K05CW-0702HUE-FL0**



**OUTDOOR UNIT
CONDENSOR PCB ASSEMBLY
K05FB-0700HUE-P0**



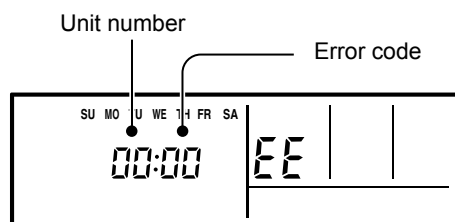
ERROR CONTENTS

REMOTE CONTROL UNIT

Troubleshooting at the remote control LCD

This is possible only on the wired remote control.

If an error occurs, the following display will be shown.
("EE" will appear in the set room temperature display.)



Code	Error contents
01 13 26 27	Indoor signal error
00	Wired remote controller abnormal
02	Indoor room temperature sensor error
04	Indoor heat exchanger temperature sensor (middle) error
28	Indoor heat exchanger temperature sensor (inlet) error
09	Float switch operated
0C	Outdoor discharge pipe temperature sensor error
06	Outdoor heat exchanger temperature sensor (outlet) error
0A	Outdoor temperature sensor error
15	Compressor temperature sensor error
1d	2-way valve temperature sensor error
1E	3-way valve temperature sensor error
29	Outdoor heat exchanger temperature sensor (middle) error
20	Indoor manual auto switch abnormal
2A	Power supply frequency detection error
17	IPM protection
18	CT error
1A	Compressor location error
1b	Outdoor fan error
1F	Connected indoor unit abnormal
1c	Outdoor unit computer communication error
12	Indoor fan abnormal
0F	Discharge temperature error
24	Excessive high pressure protection on cooling
2c	4-way valve abnormal
16	Pressure switch abnormal
2b	Compressor temperature error
19	Active filter abnormal
25	PFC circuit error

If "CO" appears in the unit number display, there is a remote control error. Refer to the installation instruction sheet included with the remote control.

ERROR CONTENTS

OUTDOOR UNIT

⚠ CAUTION

Always turn on the power 12 hours prior to the start of the operation in order to ensure compressor protection

1. Make a TEST RUN in accordance with the installation instruction sheet for the indoor unit.

2. OUTDOOR UNIT LEDS

When a malfunction occurs in the outdoor unit, the LED on the circuit board lights to indicate the error. Refer to the following table for the description of each error according to the LED.

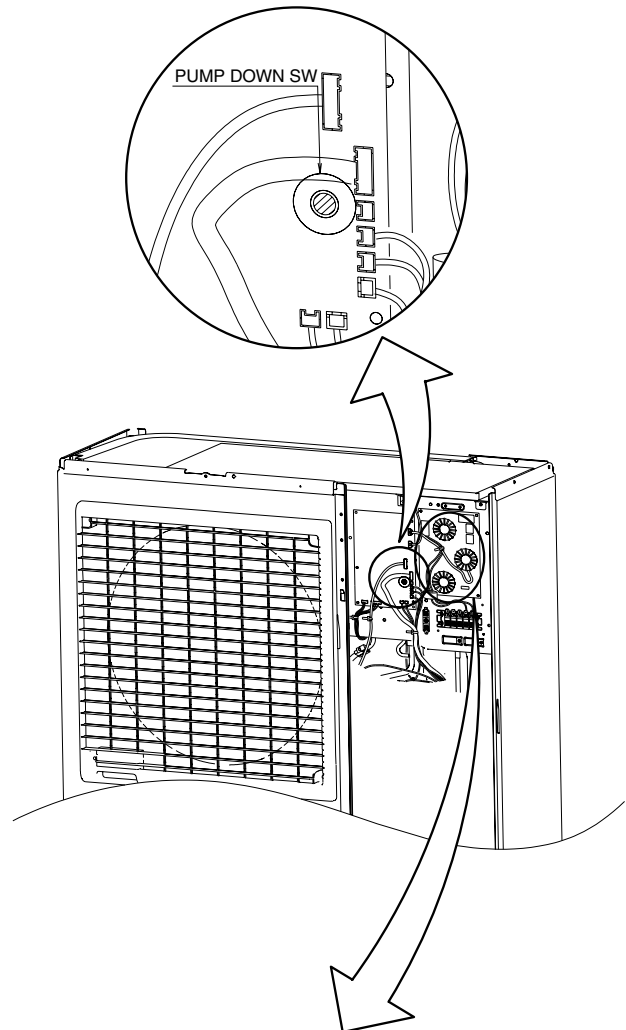
LED	ERROR CONTENTS
FLASH (0.1sec ON/0.1sec OFF)	Temperature sensor error
FLASH (0.5sec ON/0.5sec OFF)	IPM protection
FLASH (2sec ON/2sec OFF)	Current trans. error
FLASH (5sec ON/5sec OFF)	Outdoor fan error
FLASH (0.1sec ON/2sec OFF)	Compressor rotor position cannot be detected
FLASH (5sec ON/0.1sec OFF)	ACTPM error
Lighting	Overheat discharge temperature protection

SPECIAL INSTALLATION SETTING

PUMP DOWN (Refrigerant collecting operation)

Perform the following procedures to collect the refrigerant when moving the indoor unit or the outdoor unit.

- (1) Press the push-button switch on the circuit board once.
The LED on the circuit board starts flashing (one second ON/one second OFF). This indicates the start of PUMP DOWN operation.
When the switch is pressed while the compressor is in operation, PUMP DOWN operation starts automatically.
When the switch is pressed while the compressor is in stop, the compressor starts to operate automatically, and then move on to PUMP DOWN operation.
- (2) PUMP DOWN operation continues for about 1 minute. When PUMP DOWN operation is completed, the compressor stops automatically. Then close the 2-way valve and 3-way valve immediately.
- (3) Turn the power off.

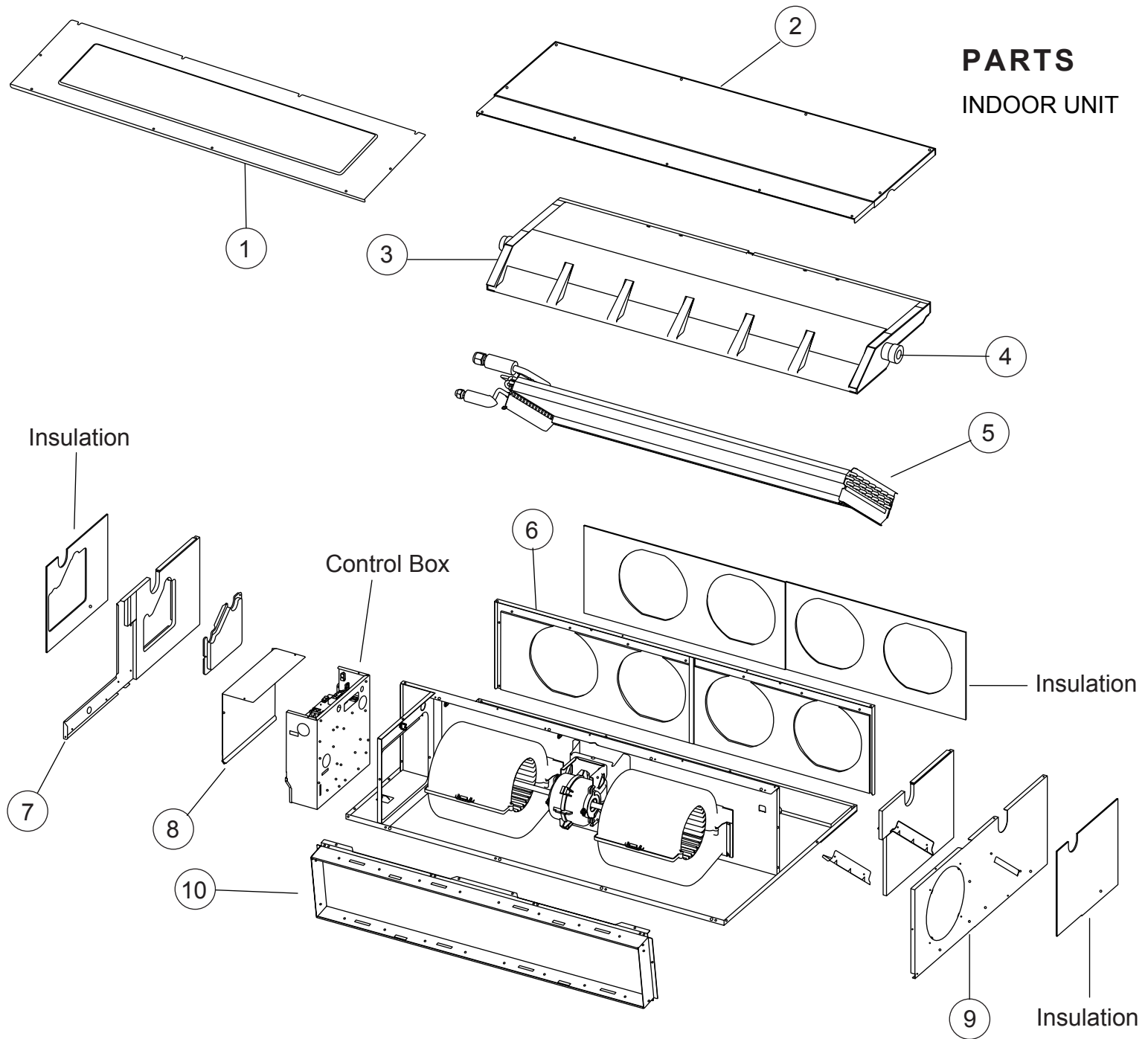


⚠ DANGER

This part (Choke coil) generates high voltages. Never touch this part.

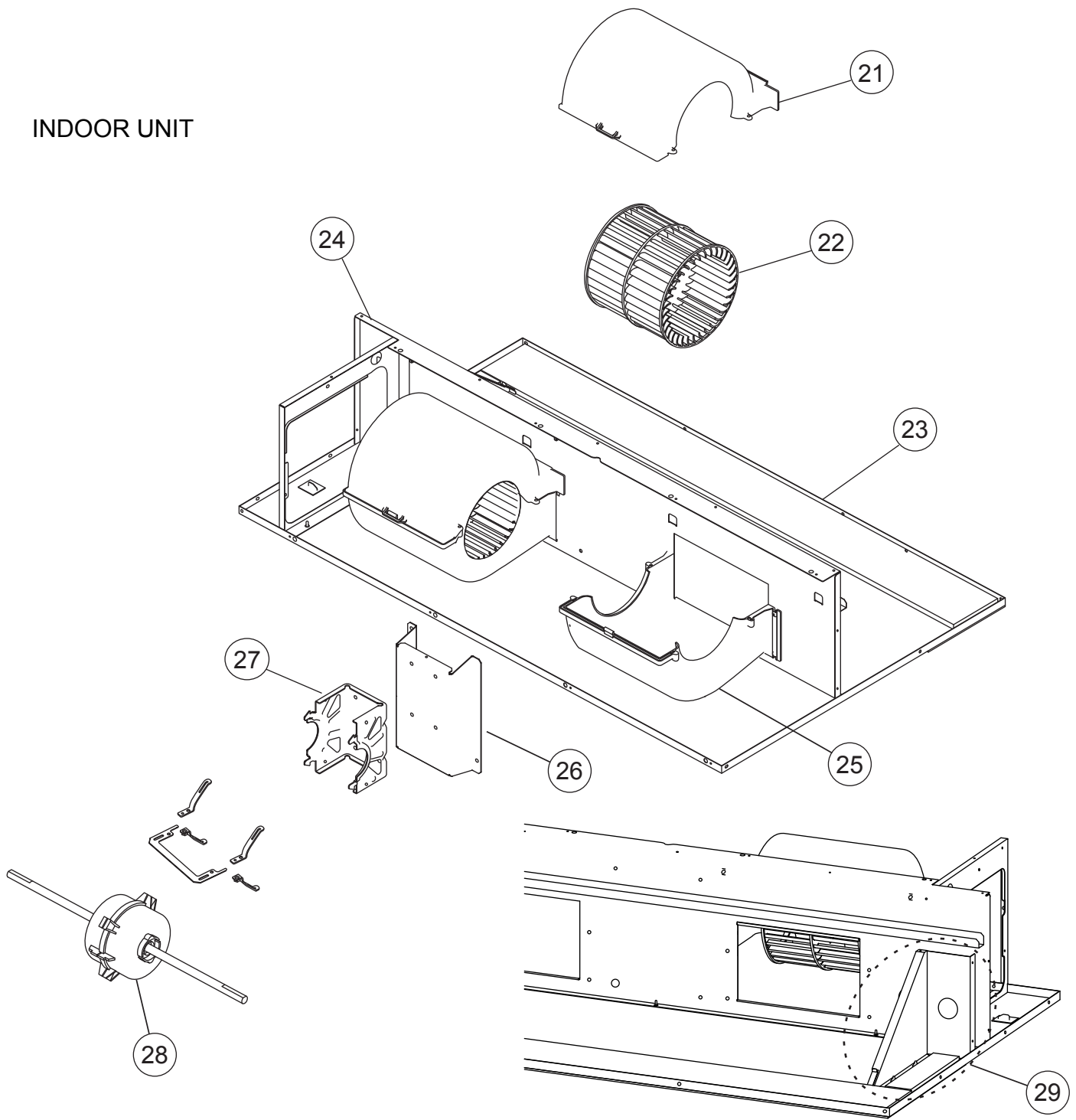
PARTS

INDOOR UNIT



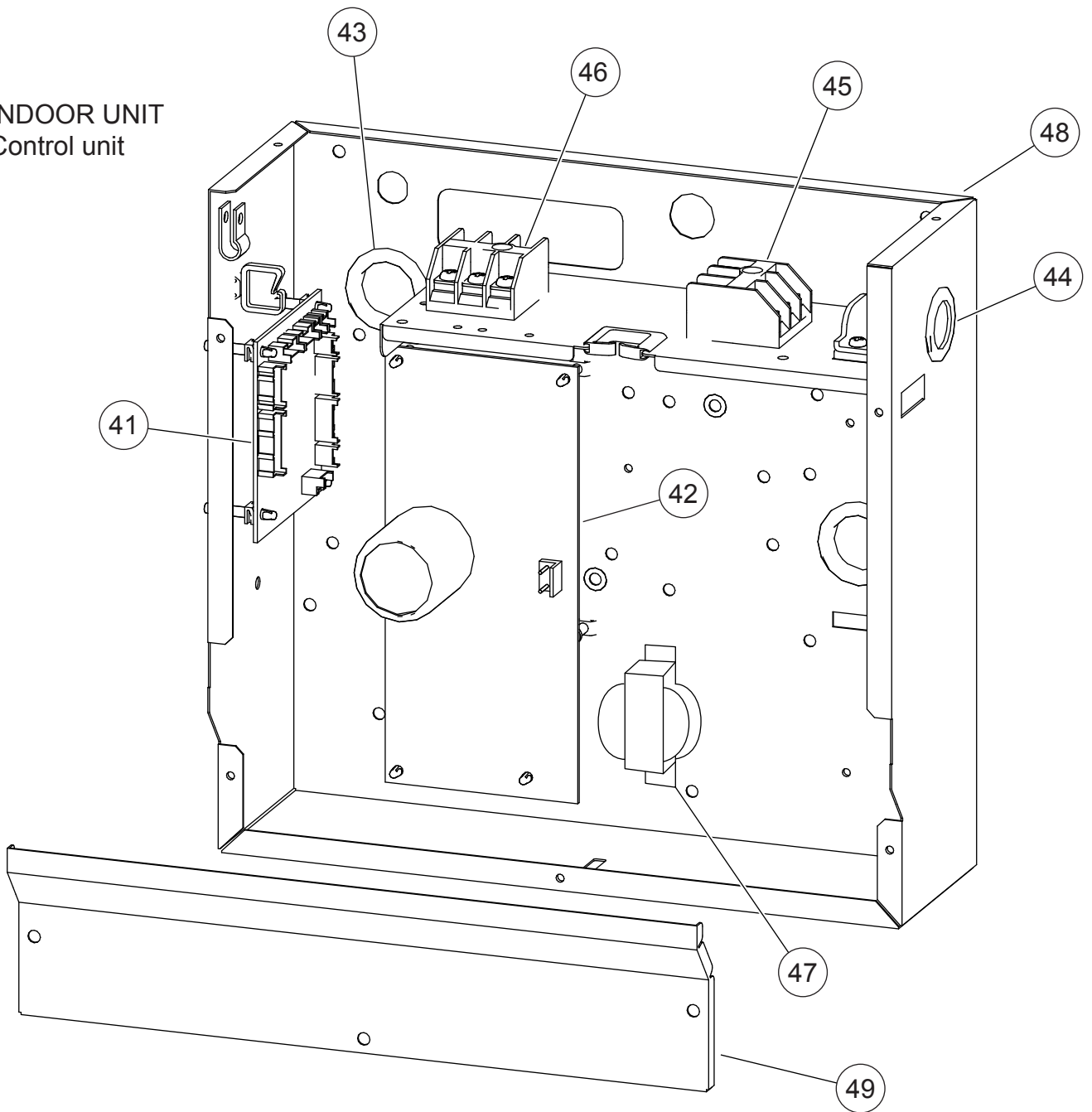
Ref.	Description	Part number
1	Intake Cover Sub Assy	9374512010
2	Main Panel Sub Assy	9374511013
3	Drain Pan Sub Assy	9374513017
4	Drain Cap	9356541007
5	Evaporator Assy	9374518012
6	Outlet Panel Sub Assy	9374510016
7	Cabinet R Sub Assy	9374508020
8	Control Cover A Sub Assy	9374516018
9	Cabinet L Sub Assy	9374509010
10	Intake Frame Assy	9374216017
--	Distributor Assy	9371325439
--	Coupling Pipe Assy	9371333052
--	Seal Panel Sub Assy	9374515011
--	Bracket Pipe Sub Assy	9374514014
--	Thermo Holder Pipe	313714262805
--	Thermistor Spring A	313728262708

INDOOR UNIT



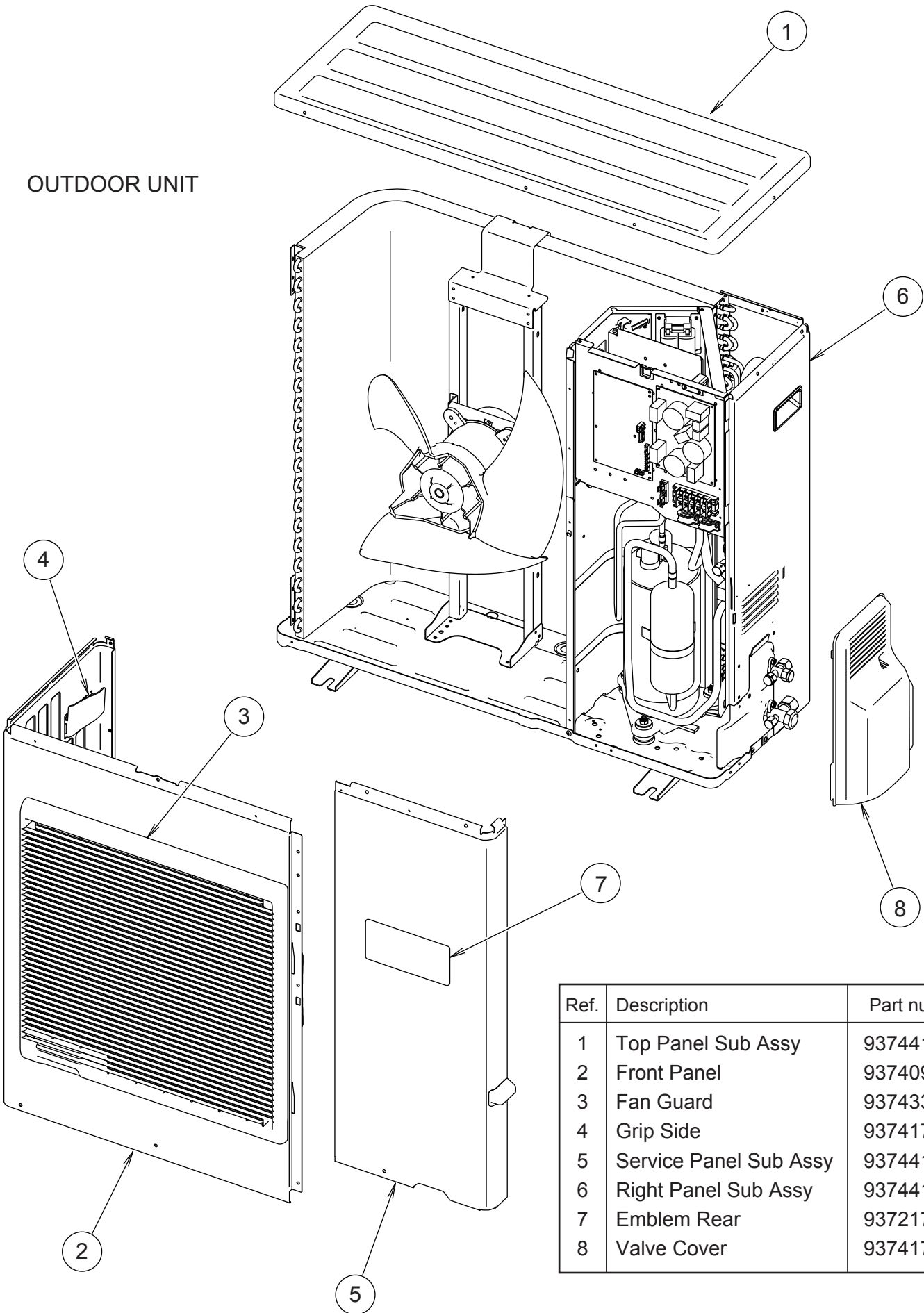
Ref.	Description	Part number
21	Casing B	9374234011
22	Sirocco Fan Assy	9356531046
23	Base Sub Assy	9374504015
24	Separate Wall Assy	9374228010
25	Casing A	9374233014
26	Bracket Motor Assy	9374230013
27	Motor Mount	9378002012
28	Fan Motor	9602466016
29	Bracket (Eva) R	9374207015
--	Bracket (Eva) L	9374208012
--	Panel (Control Box)	9374210015
--	Cap (Power)	9352173011
--	Motor Band	9378031012

INDOOR UNIT
Control unit



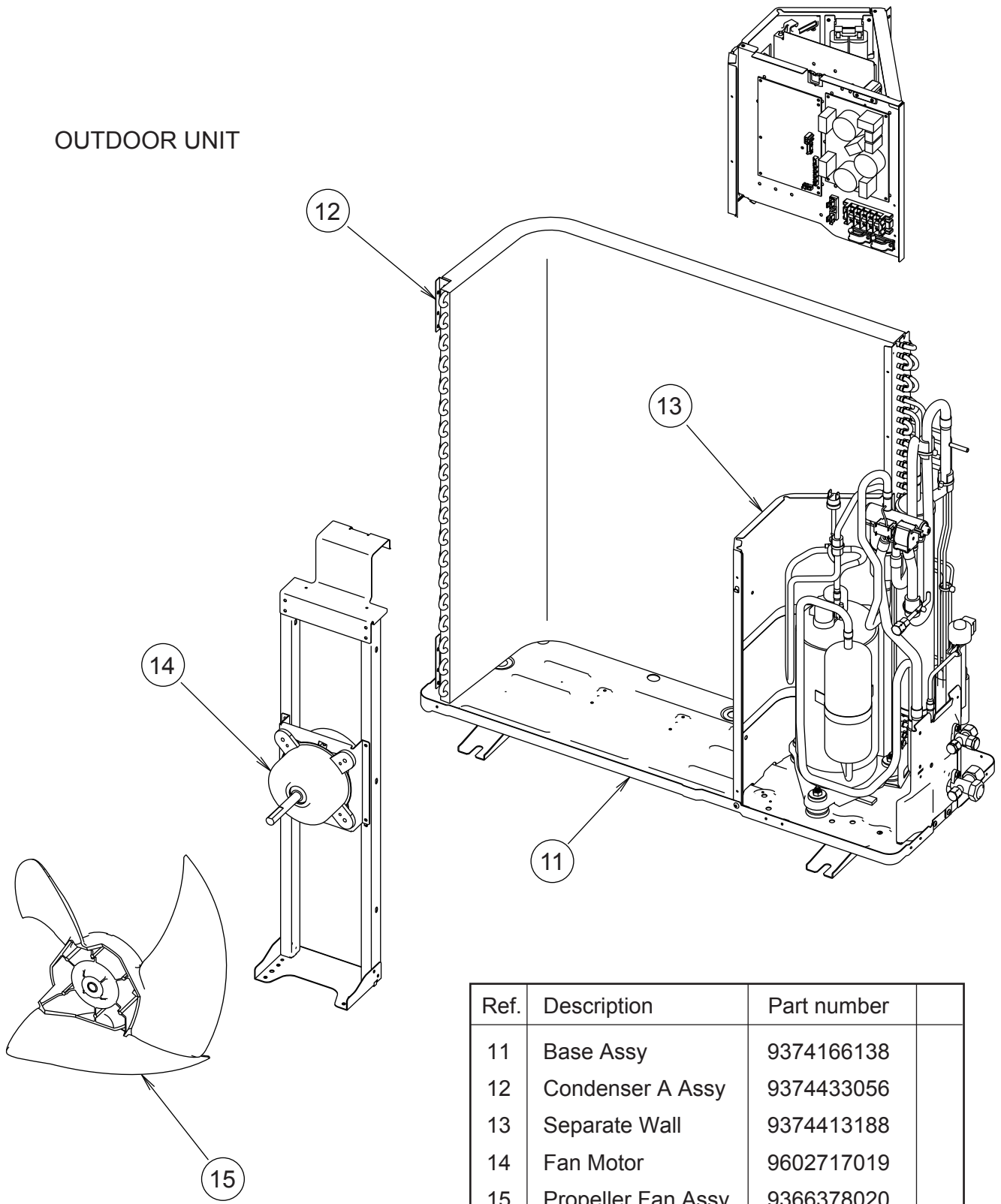
Ref.	Description	Part number
41	Controller PCB Assy (30)	9707393293
41	Controller PCB Assy (36)	9707393309
42	Power Supply PCB Assy	9707398069
43	Cap (Power)	9352173011
44	One Touch Bush	9374407019
45	Terminal 3P	9703345012
46	Terminal 3P	9306489045
47	Reactor Assy	9707457018
48	Control Box A	9374219018
49	Control Cover B	9374222018
--	Control Box B	9374220014
--	Room Thermistor	9703299025
--	Pipe Thermistor	9703297021
--	Remote Control	9372266199
--	Wire Assembly	9372714010

OUTDOOR UNIT

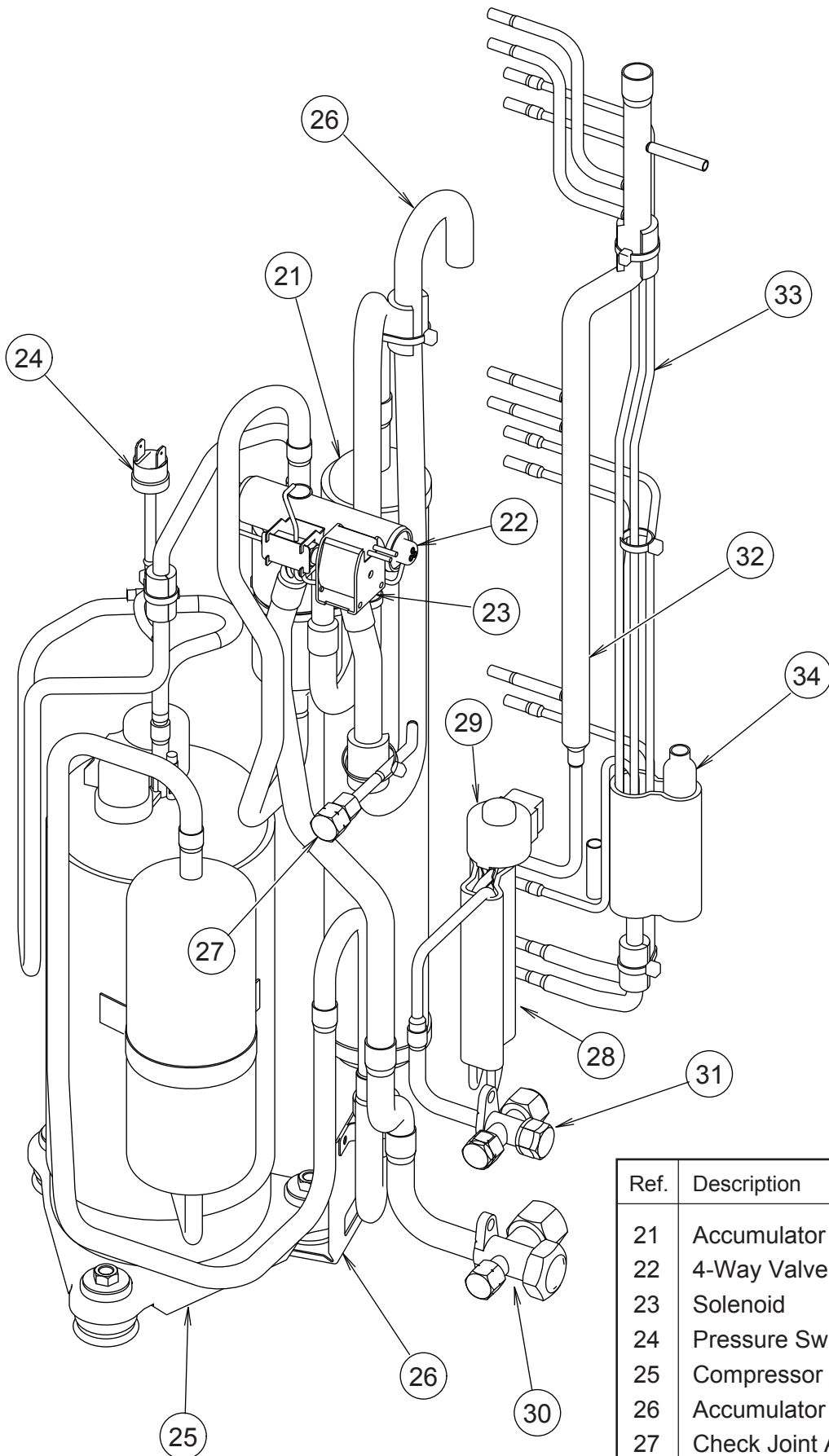


Ref.	Description	Part number
1	Top Panel Sub Assy	9374417032
2	Front Panel	9374094066
3	Fan Guard	9374330010
4	Grip Side	9374173013
5	Service Panel Sub Assy	9374415052
6	Right Panel Sub Assy	9374416127
7	Emblem Rear	9372171011
8	Valve Cover	9374174010

OUTDOOR UNIT



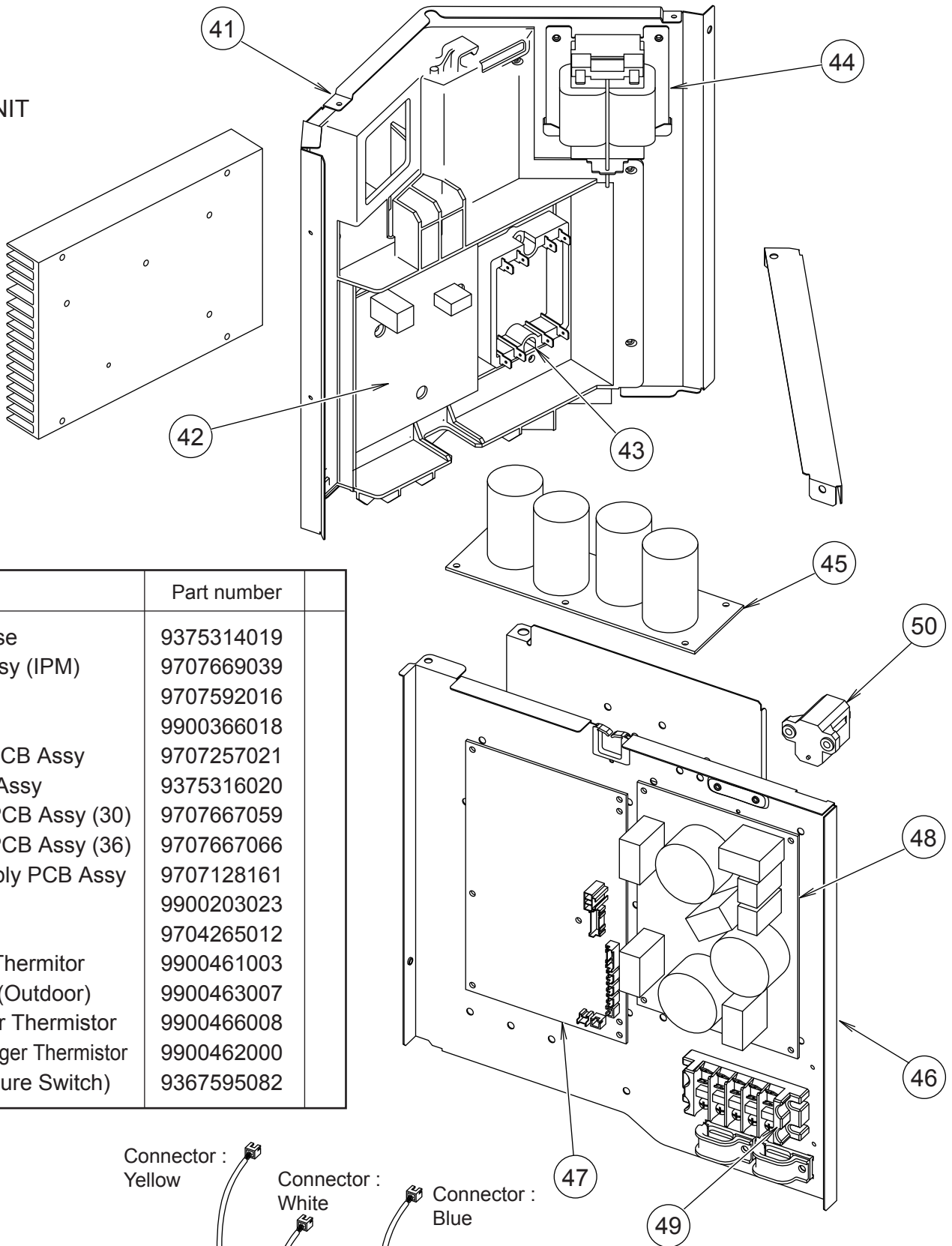
Ref.	Description	Part number
11	Base Assy	9374166138
12	Condenser A Assy	9374433056
13	Separate Wall	9374413188
14	Fan Motor	9602717019
15	Propeller Fan Assy	9366378020



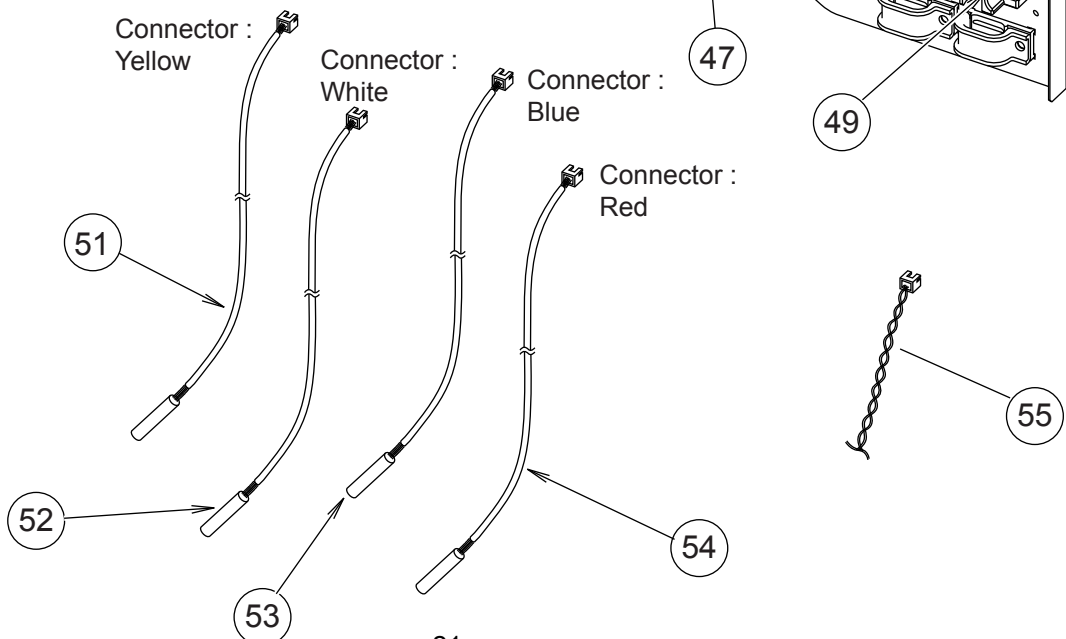
OUTDOOR UNIT

Ref.	Description	Part number
21	Accumulator	9385005006
22	4-Way Valve	9900164010
23	Solenoid	9970055034
24	Pressure Switch	9900186012
25	Compressor Assy	9372558126
26	Accumulator Support Assy	313986353804
27	Check Joint Assy	9372802038
28	Expansion Valve Assy	9370947144
29	Coil (Expansion Valve)	9900057039
30	3-Way Valve Assy	9377959010
31	3-Way Valve Assy	9377958013
32	Inlet Pipe (Cond) A Assy	9373461067
33	Outlet Pipe (Cond) A Assy	9374266104
34	Strainer Assy	9372524015

OUTDOOR UNIT

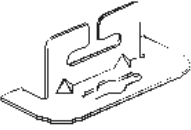





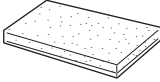
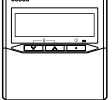
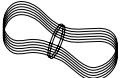



Ref.	Description	Part number
41	Inverter Case	9375314019
42	TR PCB Assy (IPM)	9707669039
43	ACTPM	9707592016
44	Choke Coil	9900366018
45	Capacitor PCB Assy	9707257021
46	PCB Case Assy	9375316020
47	Controller PCB Assy (30)	9707667059
47	Controller PCB Assy (36)	9707667066
48	Power Supply PCB Assy	9707128161
49	Terminal	9900203023
50	Thermistor	9704265012
51	Discharge Thermistor	9900461003
52	Thermistor (Outdoor)	9900463007
53	Compressor Thermistor	9900466008
54	Heat Exchanger Thermistor	9900462000
55	Wire (Pressure Switch)	9367595082



ACCESSORIES

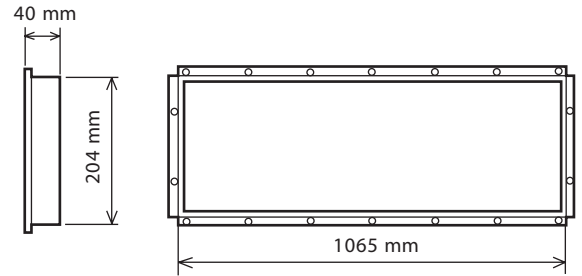
INDOOR UNIT

Name and Shape	Q'ty	Application
Hanger 	4	For suspending the indoor unit from ceiling
Special nut A (large flange) 	4	For suspending the indoor unit from ceiling
Special nut B (small flange) 	4	
Coupler heat insulation (large) 	1	For indoor side pipe joint (large pipe)
Coupler heat insulation (small) 	1	For indoor side pipe joint (small pipe)
Binder 	1 (large)	For fixing the drain hose
	1 (small)	For fixing the remote controller cord
Drain hose insulation 	1	Insulates the drain hose and vinyl hose
Remote control 	1	For air conditioner operation
Remote control cord (*1) 	1	For connecting the remote control
Tapping screw (Φ × 16) 	2	For installing the remote control

OPTIONAL PARTS

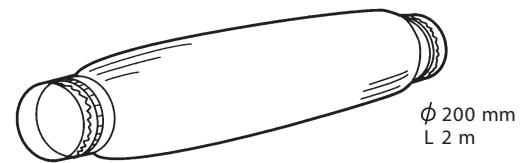
Square flange

Model name : UTD-SF045T (P/N 9098180007)



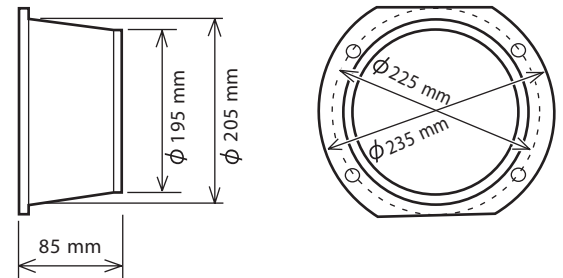
Flexible duct

Model name : UTD-RD202 (P/N 9074165004)



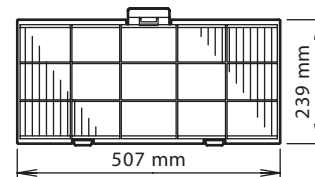
Round flange

Model name : UTD-RF204 (P/N 9093160004)

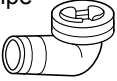

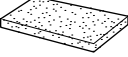


Long-life filter

Model name : UTD-LF25NA (P/N9079892004)



OUTDOOR UNIT

Name and Shape	Q'ty	Application	Part number
Drain pipe 	1	For outdoor unit drain piping work (May not be supplied, depending on the model)	9303029015
Drain cap 	2		313166024302
Installation (seal) 	1	For filling in a gap at the entrance of connection cords	9374756018

Remote sensor

Model name : UTD-RS100 (P/N9072619004)

External control set

Model name : UTD-ECS5A (P/N 9077359004)

IR Receiver Unit

Model name : UTY-LRHYI (P/N9048098000)

Drain Pump Unit

Model name : UTZ-PXINBA (P/A 9052978008)

0801G3362