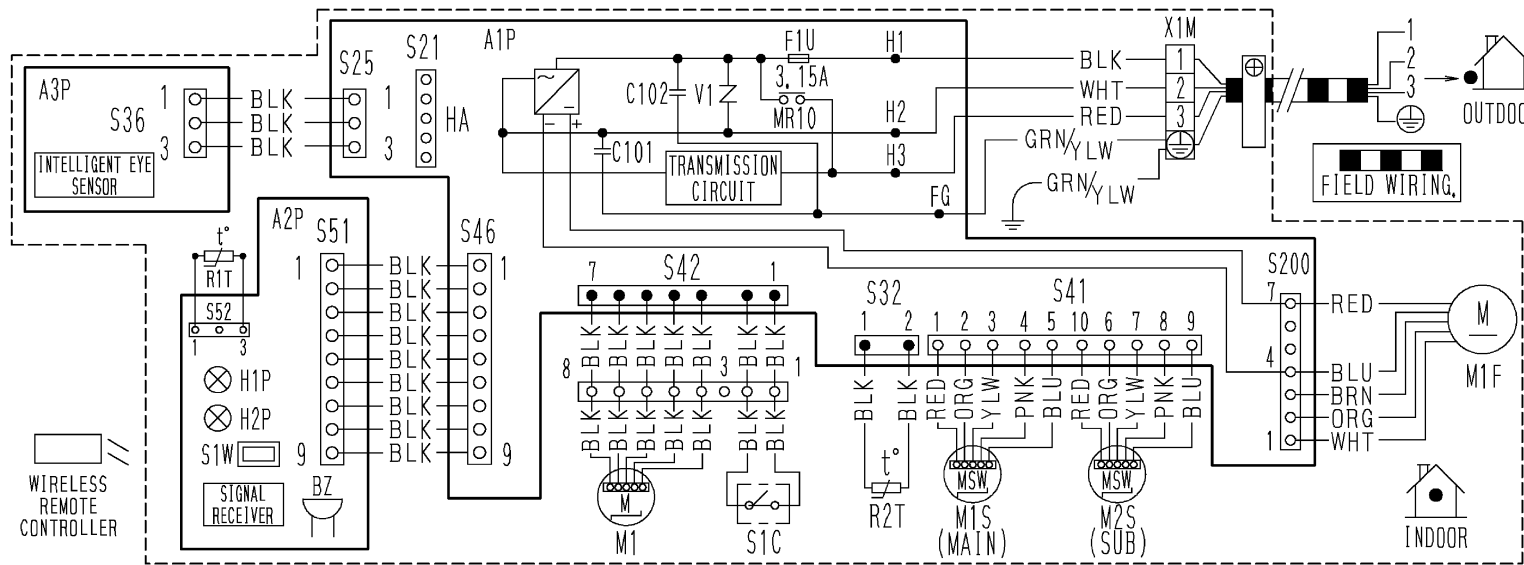


FTXG25JV1BS / FTXG25JV1BW / FTXG35JV1BS / FTXG35JV1BW Wiring Diagram



- FG : FRAME GROUND
 - F1U : FUSE
 - H1P, H2P : PILOT LAMP
 - M1F : FAN MOTOR
 - M1S, M2S : SWING MOTOR
 - M1 : STEPPING MOTOR
 - A1P~A3P : PRINTED CIRCUIT BOARD
 - R1T, R2T : THERMISTOR
 - S25~S200 : CONNECTOR
 - S1W : OPERATION SWITCH
 - S1C : LIMIT SWITCH
 - X1M : TERMINAL STRIP
 - BZ : BUZZER
 - ⊕ : PROTECTIVE EARTH
- CAUTION**
 NOTE THAT OPERATION WILL RESTART AUTOMATICALLY IF THE MAIN POWER SUPPLY IS TURNED OFF AND THEN BACK ON AGAIN.